



## 1. Safety warnings

**Electrical equipment must be installed and fitted by qualified electricians only and in strict observance of the relevant accident prevention regulations.**

**Cut out the circuit breaker before working on the device – risk of electric shock.**

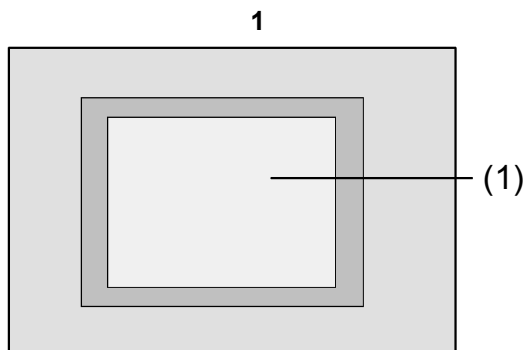
**Do not touch the display with sharp or pointed objects. The touch sensitive surface could be damaged.**

**Do not use sharp objects for cleaning. Do not use strong cleaning agents, acids or organic solvents.**

**Failure to observe the instructions may cause damage to the device and result in fire and other hazards.**

**These instructions are part of the product and must be left with the customer.**

## 2. Technical overview



(1) Touch screen surface

## 3. Function

### System information

This device is a product of the KNX system and complies with KNX directives. Technical knowledge obtained in KNX training is a necessary prerequisite.

The functionality of this device depends on the software. Information on loadable software and attainable functionality as well as the software itself can be obtained from the manufacturer's product database.

Planning, installation and startup of the device takes place via KNX certified software.

You will find the most current product database, technical descriptions as well as conversion software and other tools on the Internet.

### Designated use

- Operating consumers and displaying the status of systems, e.g. lights on/off, dimming, blinds up/down, brightness values, temperatures etc.
- Flush-mounted installation in hollow or solid walls in the interior

## Product attributes

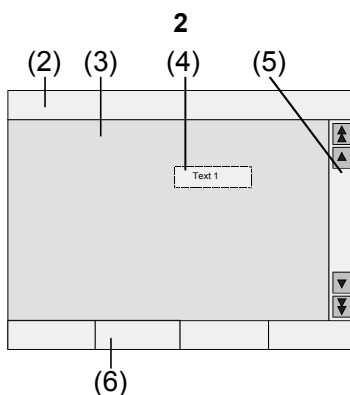
- Illuminated programmable graphic colour display TFT 5.7", 320x240 pixel, 4096 colours
- Touch screen, operation via touch directly on the display
- Fitting position horizontal or vertical
- USB port for fast programming
- Max. of 1600 operating functions, 400 display functions
- Max. of 50 pages

- Max. of 24 light scenes with 32 actuator groups
- Week timer with 16 time programs, 8 switching times for each
- Max. of 50 fault messages, centralized fault message
- Message function
- Cleaning function
- Password protected areas
- Max. of 80 logic gates, 12 multiplexers
- Easy installation with magnetic mount

## 4. Operation

### Screen elements

The functions as well as the appearance of the screen depend on programming. Thus it is different for each system. The available control elements on a screen page display status information, control or display elements.



- (2) Status line
- (3) Screen page
- (4) Control or display element
- (5) Scroll bar
- (6) Function keys

### Touch-sensitive surface

The display screen features a touch-sensitive surface, the so-called touch screen. The device is operated by touching the screen surface with the finger or by special touch screen pens (not included).

**i** Do not use sharp objects. The surface could be damaged affecting the operation of the device.

### Status line

If programmed, the status line (2) will be visible at the upper screen edge. The status line displays up to ten elements:

- Event display
- Centralized fault message
- Value display
- Date, time of day

### Screen page

Control and display elements (4) or images are displayed on screen pages (3).

Control and display elements (4) indicate states, take you to other pages or symbolize devices, functions to be controlled and components, e.g. lighting fixtures, blinds, heating devices and air conditioners etc..

### Scroll bar

The scroll bar (5) is used to navigate through one or several pages. Pressing the arrow keys will let you switch between the key elements.

- Double arrow keys: visible only, if connected pages are available. The display will switch to a connected page.
- Arrow keys: Switching between the display elements of the current page.

## Function keys

There is a maximum of four function keys (6) available for each control element (4) which can be displayed and operated after selecting the control element.

## Selecting functions/consumers

In order to use a function, it has to be selected first.

- Activate the page with the element that represents the function to be displayed or controlled.
- Select the desired element with the finger. The screen switches the display.
  - orthe appropriate function keys will be displayed. The function can be operated.

## Actuating functions or consumers

The operation depends on the type of the respective function.

The respective function must be selected and the function keys must be displayed.

- Switching:  
Briefly actuate the respective function key.
- Dimming:  
Actuate the respective function key for a long time.
- Moving blinds:  
Actuate the respective function key for a long time.
- Stopping or adjusting blinds:  
Briefly actuate the respective function key.
- Selecting light scenes:  
Briefly actuate the respective function key.
- Setting values, e.g. actual brightness or temperature value:  
Actuate the respective function key briefly.
- Adjusting value with direct input:  
After selecting the function key, the screen will display a keypad. Enter the value as a number and confirm by pressing **Save**.
- Adjusting values with slider:  
After the selecting the function key, the screen will display a slider, the adjustment range and the current value. Change the value by adjusting the slider and confirm by pressing **Save**.

## Setting the timer

Timer functions must have been stored in the device during programming.

- Select **timer** page.
- Select the desired timer function and press **Change**.  
The switching times for the selected timer function will be displayed.
- Select the switching time to be changed.  
The page showing the selected switching time will be displayed.
- Select **Time of day** and enter the desired switching time via the keypad. Accept input by pressing **Save**.
- Select **Day of the week** and enter the desired weekday. Activated days of the week are indicated by an **X**.
- Specify the desired action, e.g. on/off, dimming value or similar.
- Accept the entry by pressing **Save**.  
The switching times for the selected timer function will be displayed.
- If required, set other switching times. Select the switching time to be changed and carry out the steps as described.
- Complete the entry and accept the settings: Press **Save**.
- Complete the entry and do not accept the settings: Press **Cancel**.

## Deleting the switching times

- Open the **Timer** page.
- Select the desired timer function and press **Change**.  
The switching times for the selected timer function will be displayed.
- Select the memory to be deleted.  
The page with the selected switching time will be displayed.
- Select **Delete data** and accept the entry by pressing **Save**.
- Complete the entry and accept the settings: Press **Save**.
- Complete input and do not accept the settings: Press **Cancel**.

## Changing light scenes

Light scene functions must have been created during programming of the device.

- Open the **Light scene** page.
- Select the desired light scene.  
The selected light scene is highlighted.
- Press (<1 sec) the **Call memory** key briefly in order to call up the light scene.
- Change the name of the light scene: Press the **Change text** key and change the name using the keyboard. Complete the entry by pressing **Cancel** or accept by pressing **Save**.
- Press the **Change scene** key.  
The selected scene will be called up and the corresponding values will be adjusted.  
The lighting fixtures, blinds etc. available for the light scenes will be displayed together with the current values.
- Enter values for the desired devices with the function keys, e.g. **On, Off, 70 %**. Specify **Unch.** - unchanged - for those devices that are not part of the light scene and that are not to be changed.
- Complete the entry and accept the settings: Press **Save Back**.
- Complete the entry and do not accept the settings: Press **Cancel back**.
- Quit the Light scenes page: Press Back.



It is also possible to save a scene by first adjusting the scene manually. After that, highlight the desired scene on the Light scenes page and press Call memory for > 5 sec. In this case, the device reads and saves the status of all devices included in the scene that are not declared as Unch. – unchanged.

## Password protection

The operation of the device can completely or partially be protected against unauthorised use. For this purpose, the device can handle up to four five digit passwords which are hierarchically arranged in levels. If the device requests a password, the password for the requested level has to be entered.

The default settings for the passwords are **11111, 22222, 33333, 44444**.



If one or several passwords got lost, it is possible to reconstruct them. Please contact a qualified KNX electrician.

## Enter password protected page

The device asks you to enter a password. The corresponding level will be displayed.

The password will be displayed with asterisks. The first digit is underlined.

- Enter the password for the requested level. Possible characters are the numerical characters 0...9. If the entry was correct, the desired page will be immediately displayed.

## Opening the service page

Starting from the service page, pages for the screen and system settings as well as the cleaning function can be accessed.

- Press the **Service page** function key.  
The Service page branches to the sub pages **Display settings, System settings** and **Administrator**.

## Setting the touch accuracy of the screen

- Open the Service page.
- Press **Display settings**.
- Press **Touch calibration**.  
The screen displays several points in sequence.
- Press the middle of the displayed point.
- The screen will automatically terminate the calibration.

## Cleaning the screen

The device features a special cleaning function in order to avoid activating unintentional functions when removing dirt, finger prints etc.. While the cleaning function is active, touching the screen surface will cause no action.

- Open the Service page.
- Activate **Cleaning function**.  
The touch will not be evaluated for the duration of 1 minute. The device displays the remaining cleaning time on the screen.  
The device will return to the service page once the cleaning time has ended.
- Clean the screen surface with a soft cloth. If needed, moisten the cleaning cloth.



Do not use sharp objects for cleaning.

Do not use strong cleaning agents, acids or organic solvents.

Keep moisture from penetrating into the device.

### Adjusting basic brightness

The screen will switch into the energy saving basic brightness after several minutes of nonuse.

- Open the Service page.
- Press **Display settings**.
- Press **Brightness settings**.
- Select basic brightness: **Bright, Dim** or **Off**.  
The new setting will be visible as soon as the device switches back into the basic brightness.

### Setting the date

- Open the Service page.
- Open **System settings**.
- Select **Date**.
- Enter the current date. Sequence: DD.MM.YYYY.
- Accept the entry by pressing **Save**. Invalid entries will not be accepted.

### Setting the time of day

- Open the Service page.
- Open **System settings**.
- Select **Time of day**.
- Enter the current time of day. Sequence: HH:MM.



Enter the time of day in the 24 hour mode.

- Accept the entry by pressing **Save**. Invalid entries will not be accepted.

### Setting the day of the week

- Open the Service page.
- Open **System settings**.
- Select **Day of the week**, select the current day of the week Accept the entry by pressing **Save**.

### Viewing the message list

- Open the Service page
- Open System settings
- Select message list.  
The device will display the current fault messages.

### Viewing the service address

- Open the Service page.
- Open **System settings**.
- Select **Service address**.  
The pre-set maintenance will be displayed.

### Changing the colour settings

The colour setting is visible only if programmed.

- Open the Service page.
- Open **System settings**.
- Select **Colour settings**. Select desired colour scheme. Accept the entry by pressing **Save**.

### Resetting to default

- Open the Service page.
- Select **Administrator**.
- Select **Default settings**.  
A confirmation request appears on the screen asking whether the default setting is to be restored and whether all user data is to be deleted.
- In case the user data is not to be deleted: Press **No**.
- In case the default setting is to be restored: Press **Yes**.

The device initializes, the setting will be restored to default.

Light scenes will be deleted (names and values).  
Timer data will be deleted.

Selected colour scheme and basic brightness will be reset.

Fault messages will be deleted.

Calibration data will be reset to the standard setting.

The function will be logged in the past events memory.



Project data and passwords are not affected when restoring the default setting.

**Changing the password**

- Open the Service page.
- Select **Administrator**.
- Select **passwords**.
- Select the desired password level.
- Enter the new password.
- Accept the entry by pressing **Save**.

**Viewing the past events**

The device saves important events in the past events memory such as reset or the download of program or project data. Simple operations will not be saved.

- Open the Service page.
- Select **Administrator**.
- Select **Past events**.

**Viewing the version**

The **Version** page displays the current software version.

- Open the Service page.
- Select **Administrator**.
- Select **Version**.

**5. Information for qualified electricians**

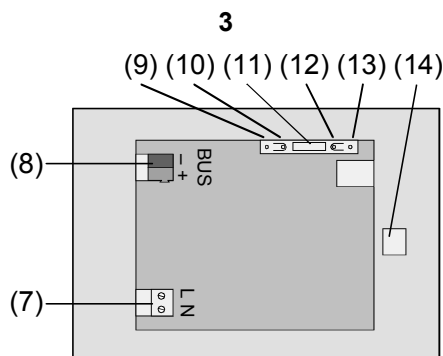
**⚠ DANGER!**  
**Electric shock in case of accidental contact with live parts. Electric shocks may be fatal.**  
**Always clear power cables and cover active parts in the surroundings before working on the device.**

Figure 3, bottom side

- ( 7) Mains voltage terminal
- ( 8) Bus connection
- ( 9) Programming LED
- (10) Programming key
- (11) **Ext.** terminal for future upgrades, e.g. membrane keypad
- (12) Reset key
- (13) Reset LED
- (14) USB Terminal

**5.1 Installation and electrical connection**

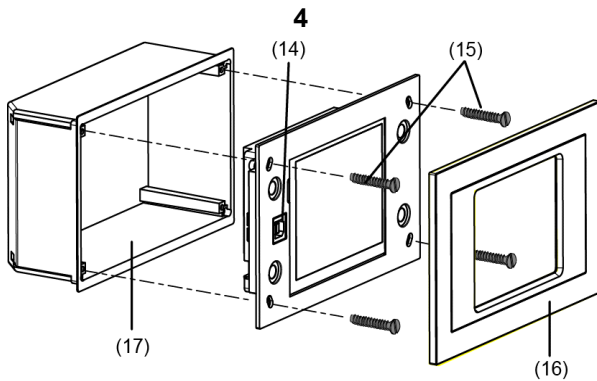
**Installing and connecting the device**



Installation in flush-mounting box (figure 4, 17)

**i** Programming key and LED are accessible only from the bottom of the device. If possible, load the physical address into the device before the final installation (start-up).

- Install the flush-mounting box in the correct position - horizontally or vertically aligned - in the wall. Horizontal installation: Arrow **OBEN TOP** points upwards. Vertical installation: Arrow **OBEN TOP** points to the left. Pull bus and 230 V lines through the appropriate bushings.
- Remove design frame (16) from the device.
- Connect mains voltage AC 230 V to terminal (7).
- Connect bus line to terminal (8).



**Figure 4, installation into a flush-mounting box**

- Install the device in flush-mounting box (17).
- Attach design frame (16) and press on.
- If applicable, remove protective foil.

## 5.2 Startup

### Downloading the physical address

The device must have been connected and ready for use.

Programming key (10) and LED (9) on the bottom side of the device must be accessible.

Configuration and startup with ETS2 version 1.3a or ETS3.0d.

- Press programming key (10).  
The programming LED is illuminated.
- Assign the physical address.  
The programming LED (9) ceases to be illuminated.
- Note the physical address on the bottom side of the device.

### Downloading the user software

Recommendation: Due to large data volumes it is recommended to program the user software via the integrated USB interface (14).

The connection to the PC requires a USB line with plug type B.

The user software and the USB driver has to be installed before the device is connected to the PC.



The drivers are initialized when the device is connected for the first time to the PC. The corresponding access rights are required.

Some PC operating systems perform a check during the initialization (when the device is connected for the first time to the PC) whether the USB drivers are certified. The corresponding messages can be ignored and the installation continued.

Connect only one device to the PC.

- After installation of the device: Remove design frame (16) from the device.  
The USB interface can be accessed (14) at the left edge of the device  $\uparrow$  V in case of a vertical installation at the lower edge.
- Establish a connection with the programming PC via the USB line.
- Program the user software.
- After programming, disconnect the USB terminal and attach and press on the design frame (16).

## 6. Appendix

### 6.1 Technical data

KNX medium:	TP1	Ext. terminal:	assembled pin and socket connector
Startup mode:	S mode	Length of cable Ext.	max. 1,20 m
KNX supply:	21...32 V DC	USB terminal:	Type B
KNX power input:	max. 10 mA	USB version:	2.0
KNX connection:	Connecting terminal	Type of protection:	IP 20
Power supply:	AC 230 V~	Safety class:	II (after installation)
Frequency:	50 / 60 Hz	Ambient temperature:	-5 °C ... +45 °C
Mains power consumption:	approx. 13.8 W	Storage temperature:	-25 °C ... +70 °C
Standby power consumption:	approx. 5 W	Dim. W x H x D:	approx. 220 x 140 x 48 mm, without design frame
Mains connection:	Screw / plug-in terminal		
Single-wire:	0.5...2.5 mm <sup>2</sup>	<b>6.2 Accessories</b>	
Stranded without wire end ferrule:	0.5...2.5 mm <sup>2</sup>	Installation housing:	Order number 0639 00
Stranded with wire end ferrule:	0.5...2.5 mm <sup>2</sup>		

### Acceptance of guarantee

We accept the guarantee in accordance with the corresponding legal provisions.

**Please return the unit postage paid to our central service department giving a brief description of the fault:**

Gira  
Giersiepen GmbH & Co. KG  
**Service Center**  
Dahlienstrasse 12  
D-42477 Radevormwald

Gira  
Giersiepen GmbH & Co. KG  
Postfach 1220  
D-42461 Radevormwald

Telefon: +49 / 21 95 / 602 - 0  
Telefax: +49 / 21 95 / 602 - 339  
Internet: [www.gira.de](http://www.gira.de)