

**Radio universal cord dimmer**  
Order No. : 0335 01

## Operating instructions

### 1 Safety instructions

Electrical equipment may only be installed and fitted by electrically skilled persons.

Serious injuries, fire or property damage possible. Please read and follow manual fully.

**Danger of electric shock. Always disconnect before carrying out work on the device or load. In so doing, take all the circuit breakers into account, which support dangerous voltages to the device and or load.**

**Danger of electric shock. Device is not suitable for disconnection from supply voltage. The load is not electrically isolated from the mains even when the device is switched off.**

**Fire hazard. For operation with inductive transformers, each transformer must be fused on the primary side in accordance with the manufacturer's instructions. Only safety transformers according to EN 61558-2-6 may be used.**

The radio communication takes place via a non-exclusively available transmission path, and is therefore not suitable for safety-related applications, such as emergency stop and emergency call.

These instructions are an integral part of the product, and must remain with the end customer.

### 2 Device components

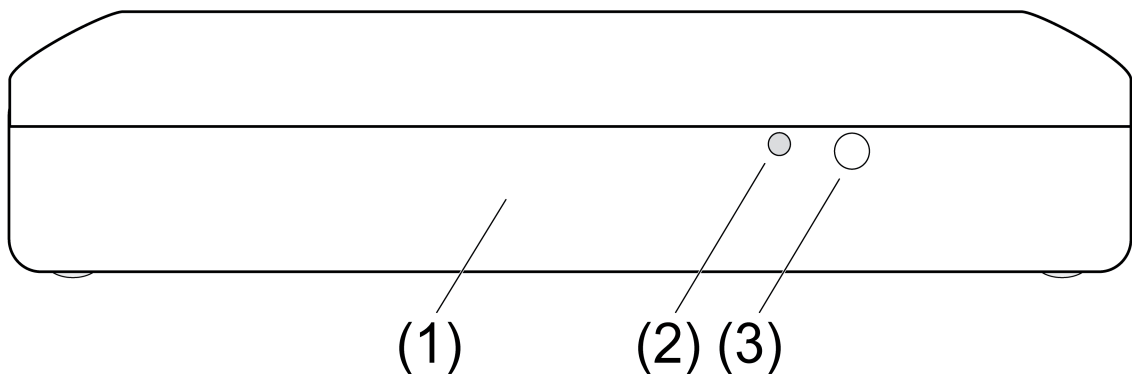


Figure 1

- (1) Dimmer
- (2) LED
- (3) Programming button

### 3 Function

#### System information

By statute, the transmitting power, the reception characteristics and the antenna cannot be changed.

The range of a radio system from the transmitter to the receiver depends on various circumstances.

The range of the system can be optimised by selecting the optimal installation location, taking into account the structural circumstances.

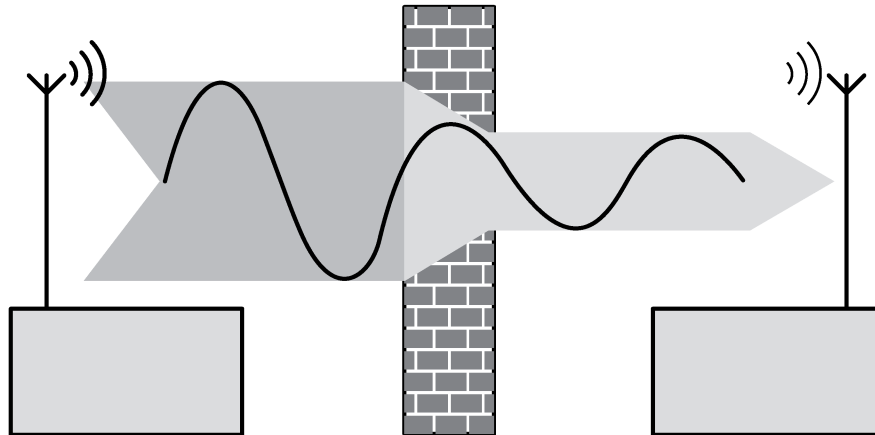


Figure 2: Reduced range due to structural obstacles

**Example of penetration of various materials:**

Material	Penetration
Wood, Plaster, Plasterboard	approx. 90%
Brick, Chipboard	approx. 70%
Reinforced concrete	approx. 30%
Metal, Metal grid	approx. 10%
Rain, Snow	approx. 1-40%

**Intended use**

- Radio-controlled switching and dimming of incandescent lamps, HV halogen lamps and Tronic or dimmable inductive transformers with halogen lamps.
- Operation with suitable radio transmitters, with installation buttons or 2-wire extension.
- Suitable for mixed operation up to the specified output (Technical data)
- i** No mixed-load operation of Tronic and inductive transformers.
- i** It is not possible to teach a combination of presence detector and motion detector.

**Product characteristics**

- Connection of extensions possible
- Switch-on via bulb-preserving soft start
- Switch-on brightness can be saved permanently
- Light scene operation possible
- Constant light regulation possible in connection with a radio presence detector
- Run-on time of approx. 1 minute in connection with radio motion detectors
- Electronic short-circuit protection with permanent switch-off after 7 seconds at the latest
- Electronic over-temperature protection
- Automatic setting of the dimming principle suitable for the load

Load type	Electrical behaviour	Dimming principle
Incandescent lamps	ohmic	Phase cut-off
HV halogen lamps	ohmic	Phase cut-off
Tronic transformers with halogen lamps	capacitive	Phase cut-off
Dimmable inductive transformers with halogen lamps	inductive	Phase cut-on

- i** Flickering of the connected lamps due to undershoot of the specified minimum load or through centralised pulses from the power stations. These are not device faults.
- i** Brief flickering upon load detection of ohmic loads. No operation is possible during load detection.

## 4 Operation

### Operation with radio transmitter

A radio transmitter has to be taught in order to be able to operate the dimmer.

- i** Observe the instructions for the radio transmitter.

### Operation via 2-wire extension or installation button

#### Switch light

- i** The light is switched on (see chapter 5.2. Commissioning) or off using the stored switch-on brightness.

2-wire extension

- Press button at top or bottom briefly.

Installation button:

- Press button briefly.

#### Switching the light on with minimum brightness

2-wire extension

- Long press on bottom of button.

Installation button:

- Long press on button.

#### Adjust the brightness

Light is switched on.

2-wire extension

- Press button for longer than 0.5 seconds.  
The light gets brighter up to maximum brightness.
- Press button at bottom for longer than 0.5 seconds.  
Light gets darker to minimum brightness.

Installation button:

- i** The dimming direction is changed with each actuation.
  - Hold down button until the desired brightness is reached.
- i** The brightness changes as long as the button is pressed. Once the maximum brightness is reached the procedure is reversed and the brightness moves towards the minimum brightness, etc.

#### Switching the light on the device

- Press the programming button for approx. 1 second.  
The light is switched on or off using the stored switch-on brightness.

## 5 Information for electrically skilled persons

### 5.1 Fitting and electrical connection



**DANGER!**

Electrical shock when live parts are touched.

Electrical shocks can be fatal.

Always disconnect the device from the socket outlet before carrying out work on the load.

Connect earth conductor so that it will be the last to tear away in the event of a fault.

#### Connecting and mounting the dimmer

Maintain a distance of at least 0.5 m from metal surfaces and electrical devices, e.g. microwave ovens, hi-fi and TV systems, electronic ballasts or transformers.

Maintain a distance of at least 1 m between transmitter and receiver in order to prevent overmodulation of the receiver.

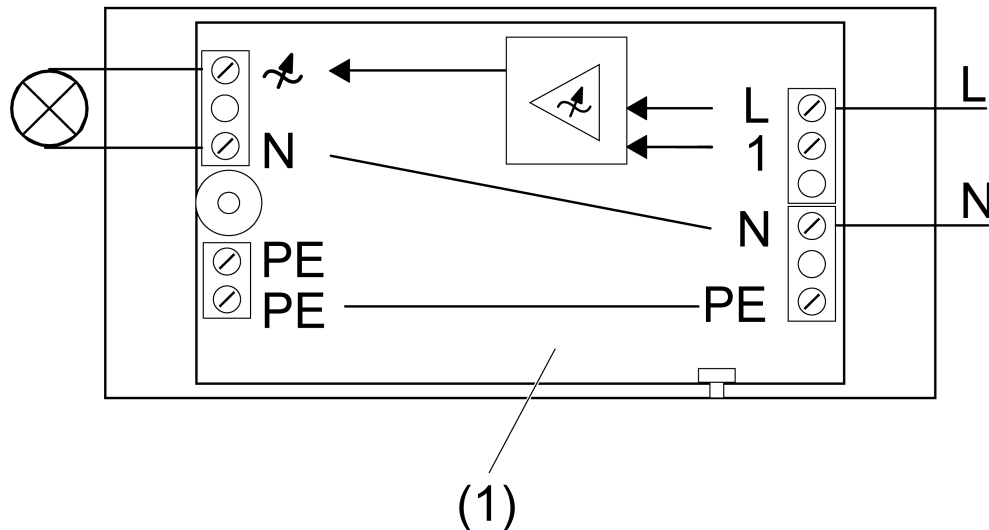


Figure 3: Connection diagram for corded dimmer

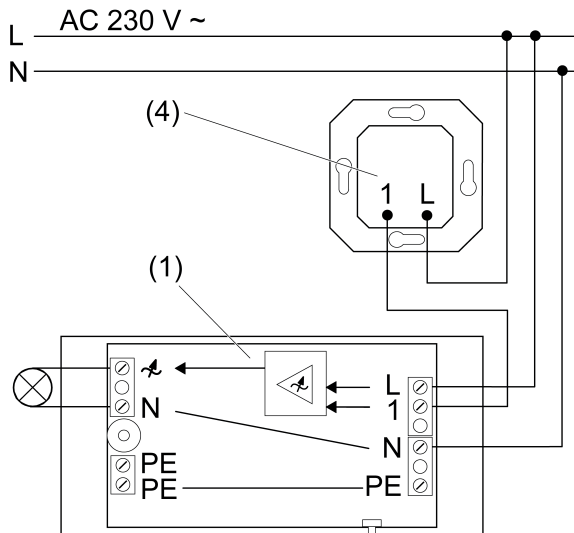


Figure 4: Connection diagram for corded dimmer with extension 2-wire

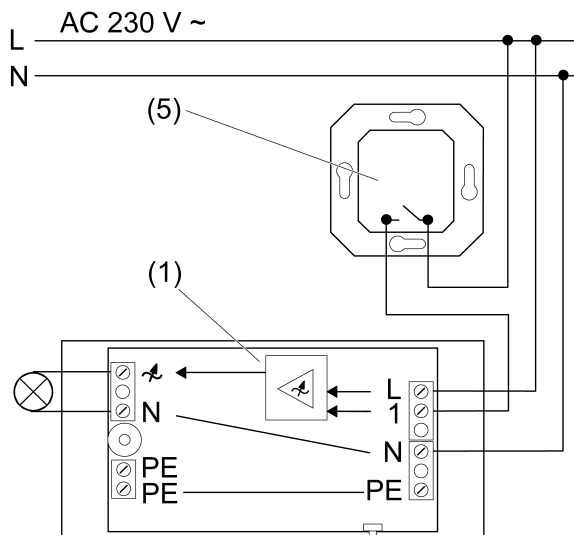


Figure 5: Connection diagram for corded dimmer with installation button

- i** Lit installation buttons must have a separate N terminal.
  - Connect the dimmer with screw terminals according to the connection diagram:
- i** Recommended cable for effective strain relief: H05VV-F 3G 0.75
  - Switch on mains voltage
    - The dimmer automatically sets the dimming principle suitable for the load.

## 5.2 Commissioning

- i** Observe the instructions for the radio transmitter.



### **DANGER!**

**Electrical shock when live parts are touched.**

**Electrical shocks can be fatal.**

**Before working on the device, cover up live parts in the working environment.**

## Teaching a radio transmitter

- i** If all memory slots are occupied, a radio transmitter which has already been taught must first be deleted. To do this, delete all taught channels and light scenes of the radio transmitter individually.

The distance between the receiver and the radio transmitter is from 0.5 m to 5 m.

Load is switched off.

- Press the programming button for approx. 4 seconds.  
The LED blinks. The device is in programming mode for approx. 1 minute.
- Trigger teach telegram on radio transmitter (see instructions for radio transmitter).  
LED lights up. The radio transmitter has been taught.
- Press the programming button briefly.  
The load switches on. The device is in operating mode.

- i** The programming mode is exited automatically after about 1 minute.

- i** Teach light scene buttons separately.

- i** When a radio transmitter is taught, All On and All Off buttons that are present are automatically also taught.

## Save switch-on brightness

A set brightness value can be saved in the dimmer as the switch-on brightness.

- i** In the state as supplied the switch-on brightness is set to maximum.

- Set light to the required brightness.
- Press programming button for longer than 4 seconds.  
Switch-on brightness is saved. For confirmation the lighting switches off briefly and then on again.

- i** The saved switch-on brightness is retained in the event of a power failure.

## Deleting radio transmitters individually

- Teach the radio transmitter to be deleted again (see Teaching a radio transmitter).  
LED blinks quickly. The radio transmitter has been deleted.

- i** If several channels or light scenes of a radio transmitter have been taught, they all must be deleted individually.

## Deleting all radio transmitters

Load is switched off.

- Press the programming button for approx. 20 seconds.  
After approx. 4 seconds the LED blinks.  
After approx. 20 seconds the LED flashes.
- During the next 6 seconds, release the programming button and press it again for approx. 1 second.  
LED lights up. The radio transmitters will be deleted.  
LED blinks quickly. All radio transmitters have been deleted.

## 6 Appendix

### 6.1 Technical data

Rated voltage

AC 230 V ~

Mains frequency

50 / 60 Hz

Ambient temperature

0 ... +55 °C

Connected load at 35 °C

- i** Power specifications including transformer power dissipation.

- i** Operate inductive transformers with at least 85% nominal load.

<b>i</b>	For ohmic-inductive mixed load, maximum 50% proportion of ohmic load. Otherwise incorrect calibration of the dimmer may result.	
Incandescent lamps		50 ... 315 W
HV halogen lamps		50 ... 315 W
Inductive transformers		50 ... 315 VA
Electronic transformers		50 ... 315 W
ohmic-inductive		50 ... 315 VA
ohmic-capacitive		50 ... 315 W
capacitive-inductive		not permitted
Power reduction		
per 5°C in excess of 35°C		-10 %
Dimensions L×W×H		126×60×28 mm
Radio frequency		433.05 MHz ... 434.79 MHz
Receiver category		2
Teachable radio transmitter		max. 30



The icons used to label the dimmer load shows the load type that can be connected to a dimmer and the electric behaviour of a load:  
R = ohmic, L = inductive, C = capacitive

## 6.2 Troubleshooting

### **The dimmer switches the load off briefly and then on again.**

Cause: short-circuit protection has tripped but now there is no longer a fault.

### **The dimmer switches the load off and cannot be switched on again.**

Cause 1: electronic short-circuit protection has tripped.

Eliminate short-circuit.

**i** The electronic short-circuit protection is not based on a conventional fuse, no electrical isolation of the load circuit.

Cause 2: overheating protection has tripped.

Disconnect dimmer from mains, also switch associated off circuit breakers.

Let dimmer cool down for at least 15 minutes.

Check the installation situation.

Reduce the connected load.

Switch circuit breakers and dimmer on again.

### **Device does not respond, or only sometimes.**

Cause 1: battery in the transmitter is empty.

Change the battery.

Cause 2: Radio range exceeded. Structural obstacles reduce the range.

Check the installation situation.

Using a radio repeater.

## 6.3 Conformity

Gira Giersiepen GmbH & Co. KG hereby declares that the radio system type

Order No. 0335 01

corresponds to the directive 2014/53/EU. You can find the full article number on the device. The complete text of the EU Declaration of Conformity is available under the Internet address: [www.gira.de/konformitaet](http://www.gira.de/konformitaet)

## 6.4 Warranty

The warranty follows about the specialty store in between the legal framework as provided for by law

Please submit or send faulty devices postage paid together with an error description to your responsible salesperson (specialist trade/installation company/electrical specialist trade). They will forward the devices to the Gira Service Center.

**Gira**  
**Giersiepen GmbH & Co. KG**  
Elektro-Installations-  
Systeme

Industriegebiet Mermbach  
Dahlienstraße  
42477 Radevormwald

Postfach 12 20  
42461 Radevormwald

Deutschland

Tel +49(0)21 95 - 602-0  
Fax +49(0)21 95 - 602-191

[www.gira.de](http://www.gira.de)  
[info@gira.de](mailto:info@gira.de)