

## Instabus Info-Display

Art. Nr.: 0559 ..

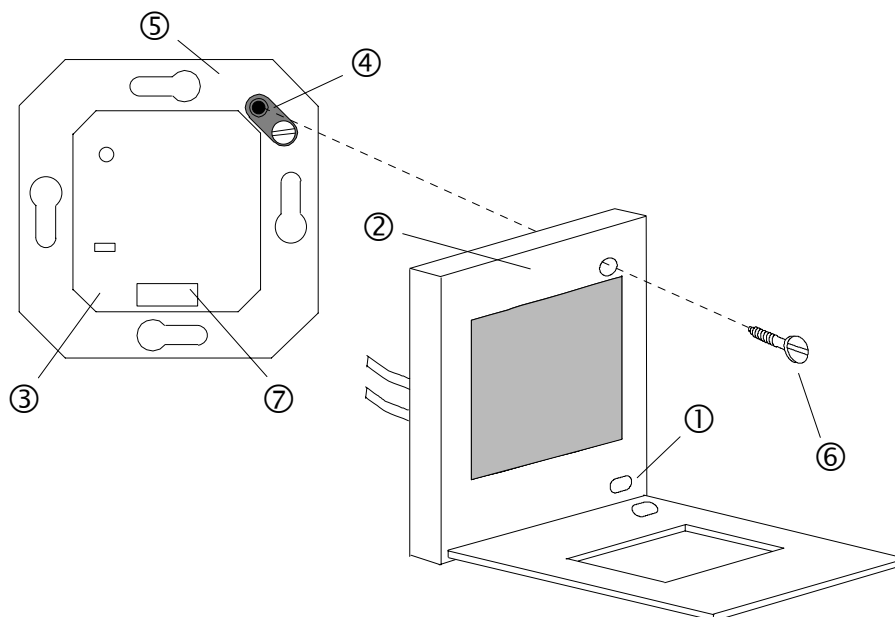
### General system information

This device is a product of the *instabus* EIB-system and complies with EIBA directives. Detailed technical knowledge obtained in *instabus* training courses is a prerequisite to proper understanding. The functionality of this device depends on the software. Detailed information on loadable software and attainable functionality as well as on the software itself may be taken from the manufacturer's product database.

Planning, installation and commissioning of the unit are performed by means of EIBA certified software.

### Function

This Info Display facilitates an optical representation of freely programmable texts and values, optionally with acoustic signal and flashing display. The text to be shown is forwarded to the device by means of the IDS (Info Display Software).



### Application

Key ① (see diagram) serves to show all display texts as well as to acknowledge the acoustic signal.

#### Instructions for Installation:

Before attaching Info Display ② to flush-mounted bus coupler ③, screw a plastic adapter ④ to supporting plate ⑤ of the bus coupler.

Fasten the Info Display with locking screw ⑥ (protection against disassembly).

Contacting is established through user interface ⑦.

## Warning

**Caution: The installation and assembly of electrical equipment may only be performed by a skilled electrician.**

## Specifications

Supply <i>instabus</i>	: 24 V DC (+6 V/ -4 V) via bus coupler (BC)
Connection <i>instabus</i> User interface	: 2-pole plug via BC : Attach to BC
Display	: LCD 2 lines with 10 digits each
Text storage	: For 8 display texts max., with 1 or 2 lines each
Acoustic signal	: Approx. 4.7 kHz/ 70 dB, can be acknowledged
Ambient temperature	: 0 °C to +45 °C
Protective system	: IP 20

## Acceptance of guarantee

We accept the guarantee in accordance with the corresponding legal provisions.

**Please return the unit postage paid to our central service department giving a brief description of the fault:**

Gira  
Giersiepen GmbH & Co. KG  
**Service Center**  
Dahlienstrasse 12  
D-42477 Radevormwald



The CE sign is a free trade sign addressed exclusively to the authorities and does not include any warranty of any properties.

Gira  
Giersiepen GmbH & Co. KG  
Postfach 1220  
D-42461 Radevormwald

Telefon: +49 / 21 95 / 602 - 0  
Telefax: +49 / 21 95 / 602 - 339  
Internet: [www.gira.de](http://www.gira.de)