

**System 2000
Tronic switching Insert**

Order no.: 0866 00

Function

The Tronic switching insert is a device provided with an electronic switch and serving for switching light installations or electrical consumers:

- 230 V incandescent lamps.
- 230 V halogen lamps.
- LV halogen lamps in conjunction with Tronic transformers. 230V Glühlampen

Events are caused by switching commands from the covers such as automatic switch or presence detector attachment.

Switching commands given through an extension or a radio transmitter lead to well-directed turning on or off.

The lamps are turned on by a gentle soft start. This Operating Instructions leaflet describes the functionality in combination with the presence detector attachment. For the exact functionalities in conjunction with the use of other attachments or of the remote control unit, please refer to the corresponding Operating Instructions leaflets.

Installation Instructions

Install Tronic switching insert ① in a connection box as per DIN 49073 (Fig. A).

The terminals of the Tronic switching insert must be down.

Use the Tronic switching insert only in combination with an attachment.

Plug attachment ② onto Tronic switching insert ① together with frame ③.

The electrical contact is established through plug contacts ④.

Mains failures of longer than 1 sec. will lead to turning off the Tronic switching insert.

Short-Circuit Protection

Switching off with automatic restarting after short-circuit elimination within 7 sec. For longer short-circuits, permanent switching off until a manual restart is triggered when an attachment is used.

Overtemperature Protection

Switching off in case of excessively high ambient temperature. After cooling down, the device must be restarted

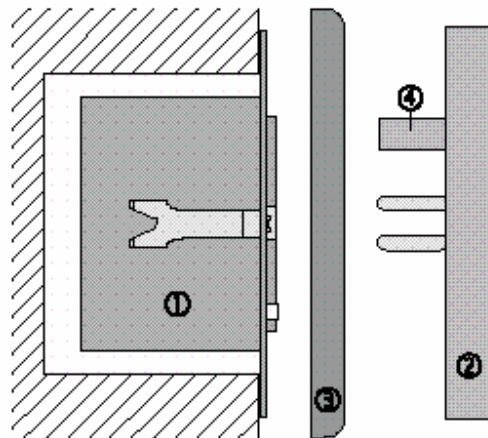


Fig A

Connection

Connect as shown in Fig. B.
 Tronic switching insert ⑤.
 Load ⑧.

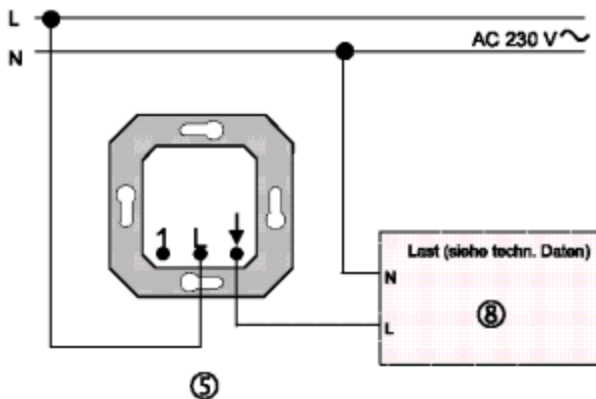


Fig B

The Use of Extensions

Connect several extensions as shown in Fig. C.

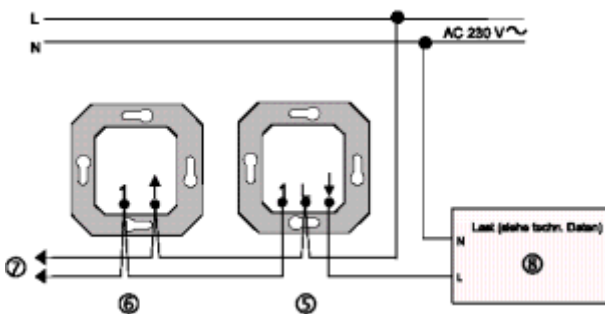


Fig C

Control from an extension unit is possible only if the attachment on the main unit is in place.

Tronic switching insert ⑤.

Extension insert ⑥.

Connection of further extensions ⑦.

Load ⑧.

Extension insert: Using the attachment leads to the same functionality as on the Tronic switching insert.



Hinweise:

Observe the maximum connected load and the load details as set out in the Technical Specifications.

Depending upon the type of installation, the maximum connected load must be reduced by:

- 6,5 % per 5 °C exceeding of the ambient temperature of 25°C.
- 15% for installation in wooden, gypsum plaster or hollow walls.
- 20% for installation in multiple combinations.

Note the technical connection conditions of the power stations.

Mechanical push-button
 (n. o. contact): ON/OFF (toggling)

Illuminated mechanical pushbuttons must have a separate N terminal.



Safety instructions:

Attention: Electrical equipment must be installed and fitted by qualified electricians only. Not suitable for safety disconnection.
 Shutting off does not disconnect the load electrically from the mains.
 Non-observance of the installation instructions may cause fire or other hazards.



Important:

Not suitable for disconnecting.

Not suitable for operation in conjunction with conventional transformers.

Do not change the attachment while mains voltage is applied, as this will entail malfunctioning.

Technical specifications

Nominal voltage: AC 230 V ~, 50 / 60 Hz

Operating temperature: -20 °C ... +45 °C

Connected load: 50 - 420 W/VA

- Incandescent lamps
- HV halogen lamps
- Tronic transformers

Number of Extensions:

extension insert,
mechanical push-button: unlimited
extension insert for
presence detector
and automatic switch: 10

Different types of extension units can be combined

Total length of extension
connecting cable: max. 100 m

Acceptance of guarantee

We accept the guarantee in accordance with the corresponding legal provisions.

Please return the unit postage paid to our central service department giving a brief description of the fault:

Gira
Giersiepen GmbH & Co. KG
Service Center
Dahlienstrasse 12
D-42477 Radevormwald

CE The CE sign is a free trade sign addressed exclusively to the authorities and does not include any warranty of any properties.

Gira
Giersiepen GmbH & Co. KG
Elektro - Installations - Systeme
Dahlienstraße 12
42477 Radevormwald

Tel + 49 (0) 2195 - 602 - 0
Fax + 49 (0) 2195 - 602 - 339
www.gira.de