

## Antenna outlet socket EVU 02 F

Art. No.: 093800

## Description

For individual and community antenna installations with SAT IF distribution to decoupled stub lines.

Two inputs:

- Input **Ht** for SAT IF and terrestrial signals
- Input **V** for SAT IF

Four outputs: one each for the connection of a radio and a TV set, both in accordance with IEC 169-2 (DIN 45 325), and 2 independent connections (F-sockets) for satellite receivers and televisions with built-in satellite receiver.

Can be remotely supplied via the SAT connections.

Passes on 13/18V = LNB supply and control voltage for switching relays, and 0/22 kHz switching signal from the SAT connections to the inputs.

Conforms to EN 50 083 Part 1, -2.

Shielding rate

- up to 470 MHz  $\geq$  75 dB
- 470 - 1000 MHz  $\geq$  65 dB
- 1000 - 2150 MHz  $\geq$  55 dB

Simplified connecting and easy mounting of the coaxial cables by clamp opened lateral.

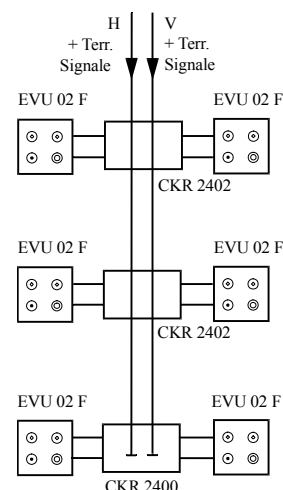
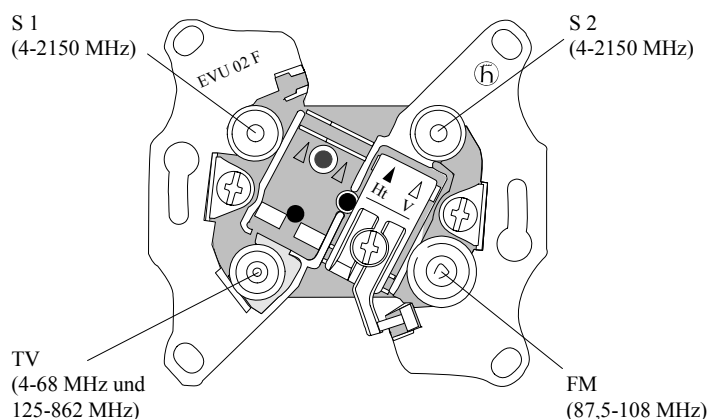
Clamp connection:

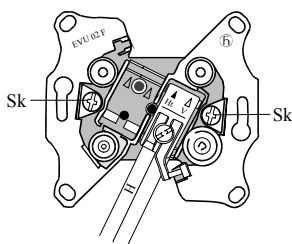
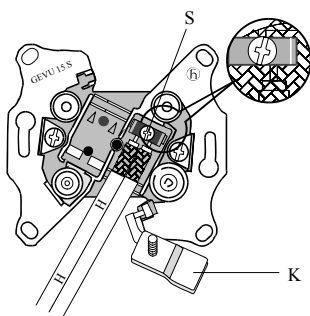
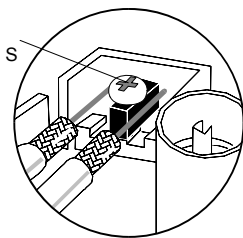
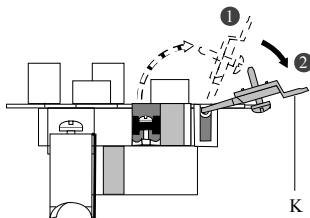
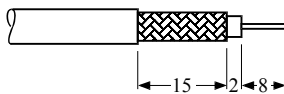
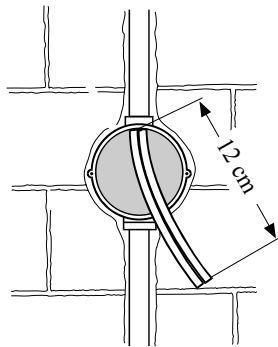
- Inner conductor: 0.4-1.4 mm  $\varnothing$
- Outer conductor: 2.7-4.5 mm  $\varnothing$

For connecting mini-coaxial cable or KOKA 780 TWIN-SAT twin cable, order No. 198 780-100 (100 m)

Cover plate (76 x 76 mm) included.

Application Example: Racked Star





1. The antenna outlet sockets can be installed in flush mounting boxes of 58 mm Ø. Provide the coaxial cables with a reserve of approx 12 cm inside the flush mounting box. Strip the cable ends.

2. Completely fold out the hinged clamp K past position until it locks in position.

3. Undo terminal screw S until the black plastic part turns 90°. Place the inner conductor between the white and the black plastic parts against the stop. Ensure that the connection markings (H, V) on the socket and cable match.

4. Tighten terminal screw S such that the black plastic part turns back to its original position and the inner conductor is held securely in place. Fold in the hinged clamp K and tighten.

5. Insert the antenna outlet socket into the flush mounting box and fix with the two expanding claws Sk.

**Remark:**  
Alternatively the antenna outlet socket can be mounted into a distance frame (e. g. AR 20).

**Technical data**

	RK <sup>1)</sup>	B I	UKW	B III/SK <sup>2)</sup> , B IV/V	SAT-ZF	SAT-ZF
	CR <sup>1)</sup>	B I	FM	B III/SC <sup>2)</sup> , B IV/V	Sat-I.F.	Sat-I.F.
	RC <sup>1)</sup>		FM	B III/C.S. <sup>2)</sup> , B IV/V	Sat-F.I.	Sat-F.I.
f/MHz	5 - 47	47 - 68	87,5-108	125 - 862	950 - 2050	2050 - 2150

Connection attenuation

Input Ht/ Output FM	dB	–	–	6,5	–	–	–
Input Ht/ Output TV	dB	5,0	6,0	–	6,0	–	–
Input Ht/ Output S 1	dB	2,5	2,2	2,2	2,2	2,5	2,8
Input V/ Output S 2	dB	0,2	0,4	0,4	0,4	0,5	0,6

Internal coupling attenuation

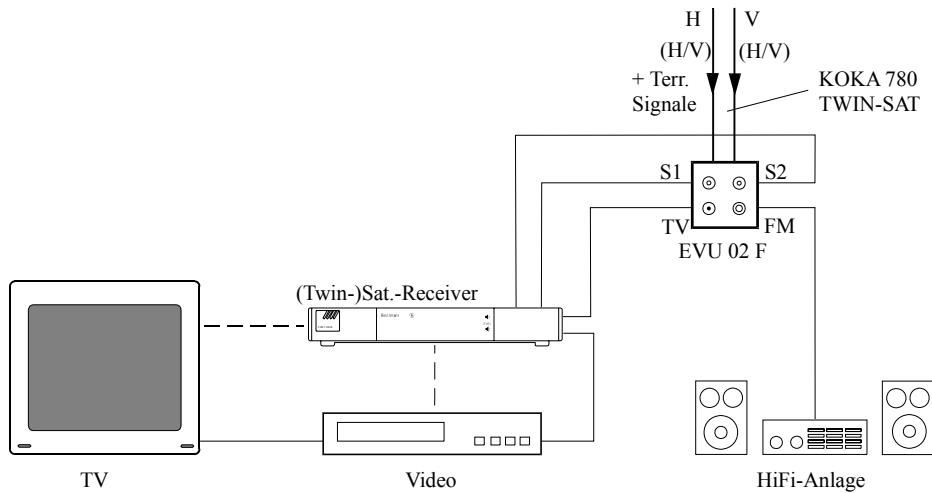
Output S 1/ Output S 2	dB	–	–	–	48	36	30
---------------------------	----	---	---	---	----	----	----

Remote feeding  
voltage/current            24 VDC/500 mA through satellite outputs

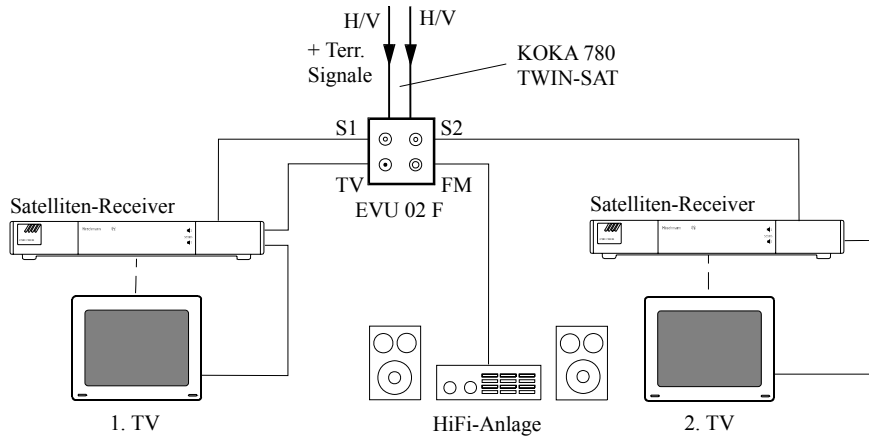
<sup>1)</sup> RC = Reverse channel range  
<sup>2)</sup> SC = Special channels

**Examples of possible ways of connecting**

1. With video recorder  
(independent video recording when a twin satellite receiver is used)



## 2. With two televisions



— HF cable (75 Ω) (coaxial cable)

----- Audio/video cable (scart cable)

## Acceptance of guarantee

We accept the guarantee in accordance with the corresponding legal provisions.

**Please return the unit postage paid to our central service department giving a brief description of the fault:**

Gira  
Giersiepen GmbH & Co. KG  
**Service Center**  
Dahlienstrasse 12  
D-42477 Radevormwald



The CE sign is a free trade sign addressed exclusively to the authorities and does not include any warranty of any properties.

Gira  
Giersiepen GmbH & Co. KG  
Postfach 1220  
D-42461 Radevormwald

Telefon: +49 / 21 95 / 602 - 0  
Telefax: +49 / 21 95 / 602 - 339  
Internet: [www.gira.de](http://www.gira.de)