

## Additional radio antenna

Order-No. : 1138 00

### Operating instructions

## 1 Safety instructions

Electrical equipment may only be installed and fitted by electrically skilled persons.

Failure to observe the instructions may cause damage to the device and result in fire and other hazards.

The radio antenna including the antenna cable are not electrically isolated. Isolate the antenna and antenna cable from mains voltage in a reliable manner using suitable isolation measures.

To ensure adequate contact protection, operate device only with the slide in use.

These instructions are an integral part of the product, and must remain with the end customer.

## 2 Device components

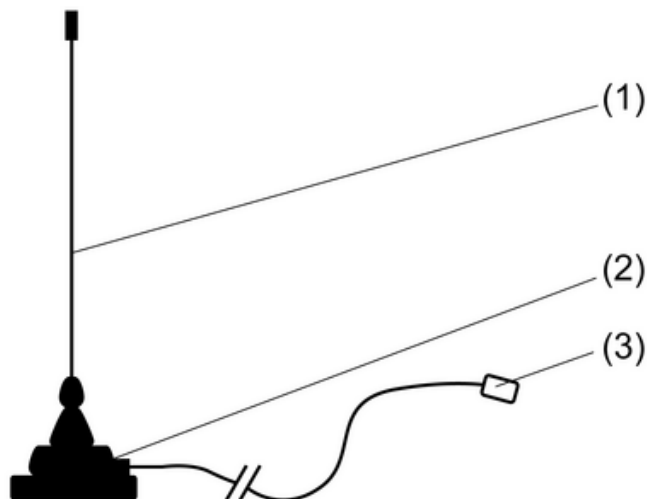


Figure 1

- (1) Antenna
- (2) Magnetic base
- (3) Antenna connector

## 3 Function

### Intended use

The radio antenna supplements the integrated antenna of the radio receiver RMD in case of unfavourable installation conditions, e.g. a metallic distribution box.

## 4 Information for qualified electricians

### 4.1 Fitting and electrical connection



#### **DANGER!**

**Electrical shock when live parts are touched.**

**Electrical shocks can be fatal.**

**Before carrying out work on the device or load, disengage all the corresponding circuit breakers. Cover up live parts in the working environment.**

- i** To ensure optimal reception, place antenna on an electrically conductive surface; 50×50 cm is ideal. The antenna should be as close as possible to a 90° angle relative to the surface.

#### **Routing the antenna in front of the panel cover of the distributor**

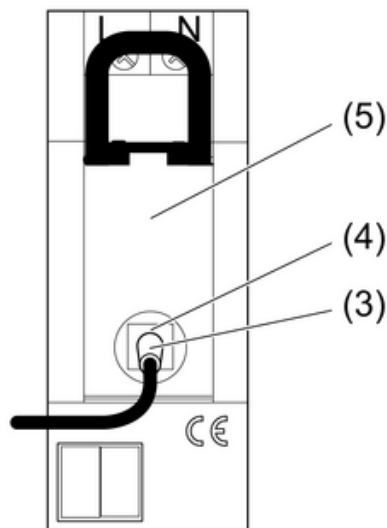


Figure 2

- Insert the antenna connector (3) into the SMB socket (4) of the radio receiver RMD (5) (Figure 2).
- Route the antenna out of the distributor providing reliable isolation.

### Routing the antenna in behind the panel cover of the distributor

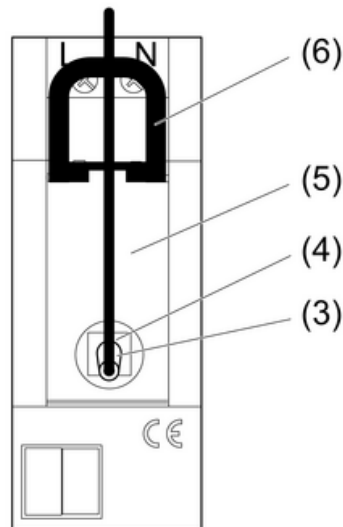


Figure 3

- Unlock the black slide (6) by pulling up on the bow and pull out slide (Figure 3).
  - Insert the antenna connector (3) into the SMB socket (4) of the radio receiver RMD (5).
  - Re-insert the black slide until it engages noticeably.
- i** The slide fixes the cable in place and ensures that the maximum installation height in the distributor is maintained.

## 5 Appendix

### 5.1 Technical data

Antenna length

17 cm

Cable length

2.7 m

Connection

SMB connector

### 5.2 Warranty

The warranty is provided in accordance with statutory requirements via the specialist trade.

Please submit or send faulty devices postage paid together with an error description to your responsible salesperson (specialist trade/installation company/electrical specialist trade). They will forward the devices to the Gira Service Center.

## Radio bus system

Additional radio antenna

# GIRA

---

**Gira**  
**Giersiepen GmbH & Co. KG**  
Elektro-Installations-  
Systeme

Industriegebiet Mermbach  
Dahlienstraße  
42477 Radevormwald

Postfach 12 20  
42461 Radevormwald

Deutschland

Tel +49(0)21 95 - 602-0  
Fax +49(0)21 95 - 602-399

[www.gira.de](http://www.gira.de)  
[info@gira.de](mailto:info@gira.de)