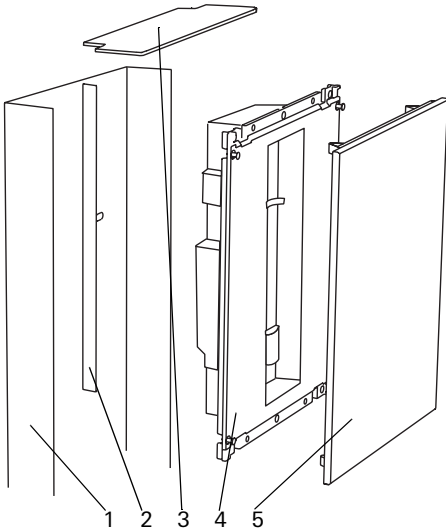


Light
1377 18

GIRA

Device description

Light for integration in the modular function profile. The light is installed either in the installation profile of the modular function profile or in the mounting frame.



Legend

- 1 Installation profile made of aluminium
- 2 Bulkhead wall made of plastic
- 3 End cap made of plastic
- 4 Light
- 5 Front panel made of glass

The bulb, a 9 W compact fluorescent lamp with a 2G7 lamp base (e.g. Osram Dulux S/E 9 W/21-840) is not included.

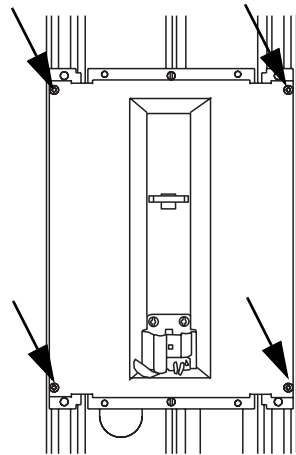
Installation



Attention

Installation and mounting of electrical devices may only be carried out by a qualified electrician.

1. Fasten the installation profile of the function profile or the mounting frame on the wall (see mounting instructions for function profile or mounting frame).
2. Strip 3 cm off the supply cable and remove the insulation of the individual wires.
3. Connect the wires to the connection terminals of the light.
4. Lay the light in the installation profile or the mounting frame and screw on.



5. Insert the bulb.
A 9 W compact fluorescent lamp with a 2G7 socket (e.g. Osram Dulux S/E 9 W/21-840) serves as the bulb.
6. Lay on the glass cover and press it on until the retaining springs engage.

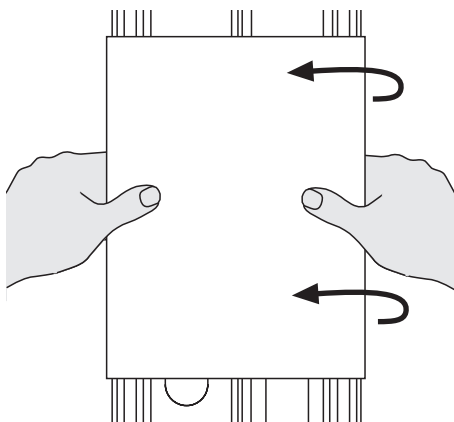
Replacing bulb

To replace the bulb, please proceed as follows:

1. Pull off the glass front panel toward the front with both hands.
2. Pull the bulb out of the socket.
3. Insert the bulb.
A 9 W compact fluorescent lamp with a 2G7 socket (e.g. Osram Dulux S/E 9 W/21-840) serves as the bulb.
4. Lay on the glass front panel and press it on until the retaining springs engage.

Removing front panel

To remove, pull off the glass front panel toward the front with both hands (see illustration).



Replace defective glass front panel

Always replace a broken protective panel.
The light may not be operated without or with a broken glass front panel.

Warranty

We provide a warranty in accordance with the statutory requirements.

Please send the device postage paid with an error description to our central customer service centre.

Gira
Giersiepen GmbH & Co. KG
Service Center
Dahlienstrasse 12
D-42477 Radevormwald

Gira
Giersiepen GmbH & Co. KG
Postfach 1220
D-42461 Radevormwald, Germany
Tel: +49 (0) 2195 / 602 - 0
Fax : +49 (0) 2195 / 602 - 339
Internet: www.gira.com

GIRA