

Operating instructions

LED orientation light 230 V~, white
Order no. 2361 00

LED orientation light 230 V~, warm white
Order no. 2364 00

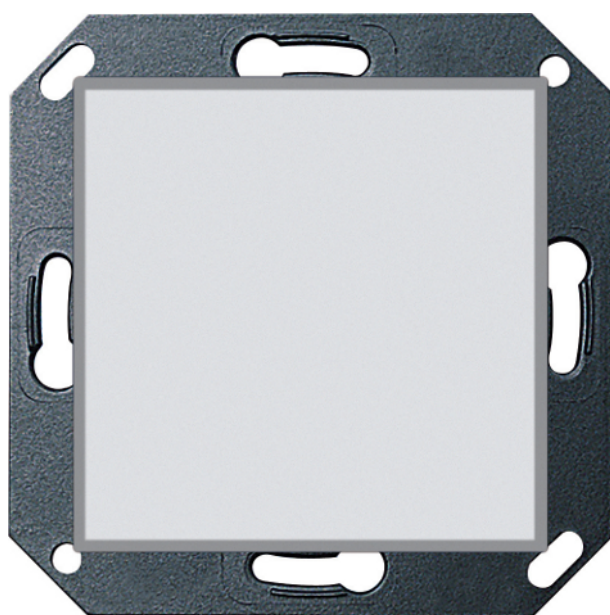


Table of Contents

1	Safety instructions.....	3
2	Device components.....	3
3	Intended use	3
4	Product characteristics	4
5	Operation	4
6	Information for electrically skilled persons	4
7	Technical data	6
8	Warranty.....	6

1 Safety instructions



Electrical devices may only be mounted and connected by electrically skilled persons.

Serious injuries, fire or property damage possible. Please read and follow manual fully.

Danger of electric shock. Always disconnect device before working on it. At the same time, take into account all circuit breakers that supply dangerous voltage to the device.

Fire hazard. Do not operate the LED luminaires on a dimmer. The LED luminaires cannot be dimmed.

Do not connect LED luminaires to an electronic switch insert. Damage to LED luminaires and switch insert may result.

The device is not suitable for use in safety-related applications or as an emergency light.

This manual is an integral part of the product, and must remain with the end customer.

2 Device components

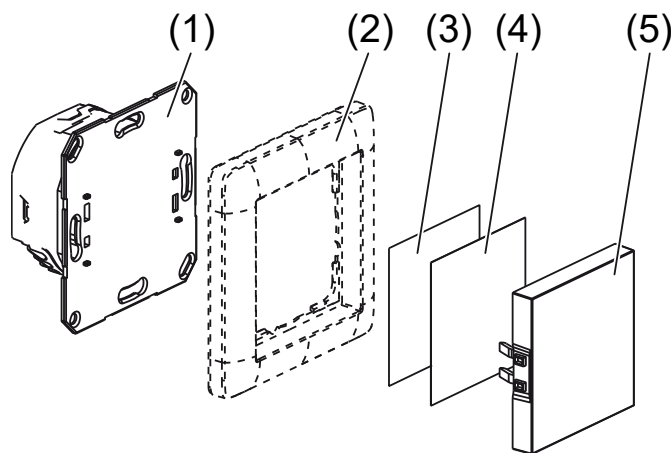


Image 1: Device components

- (1) Flush-mounted insert, luminaire
- (2) Cover frame, not included in the scope of delivery
- (3) Labelling film, optional
- (4) Light-scattering film
- (5) Lamp cover

3 Intended use

- Luminaire for orientation or signalling
- Switchable using external switch
- Mounting in appliance box with dimensions according to DIN 49073

4 Product characteristics

- Can be used in switch combinations or individually
- Makes it easier to find switches or to orient oneself in dark rooms
- Individually labelled film can be inserted
- Brightness can be changed using internal potentiometer

i LED production tolerances may result in visible differences in brightness and colour.

5 Operation

The luminaire is switched on or off with a switch or switching contact.

- Operate switch. Luminaire switches on or off.

6 Information for electrically skilled persons



DANGER!

Electric shock when live parts are touched.

Electric shocks can be fatal.

Before working on the device, disconnect all corresponding circuit breakers from the supply voltage, secure against being switched on again and check that there is no voltage!

Connect and mount the LED orientation light

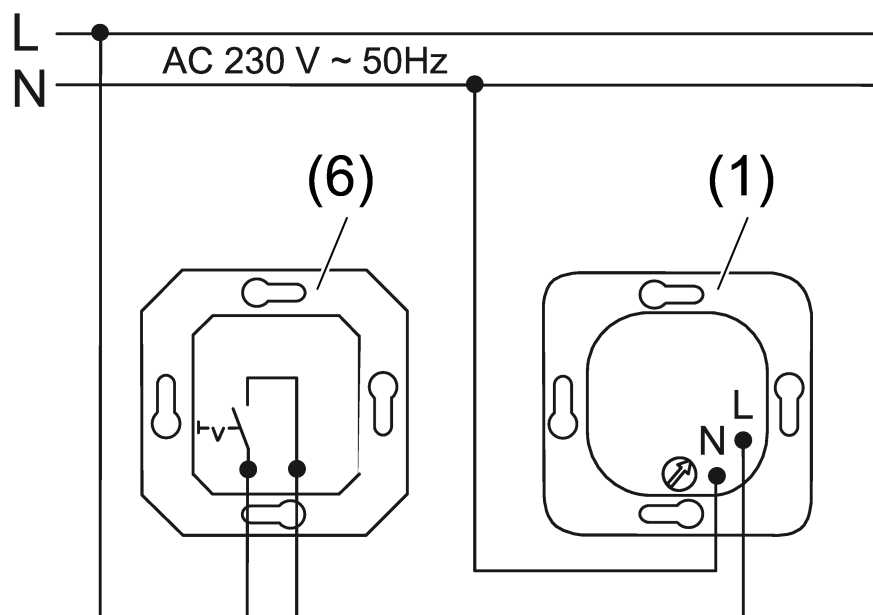


Image 2: Connection example

- (1) Flush-mounted insert, luminaire
 (6) Switch

- Connect flush-mounted insert (1) as shown in the connection example (see figure 2).
- Mount the flush-mounted insert (1) in the appliance box. The terminals must be at the bottom.
- Complete the luminaire (see figure 1).
- Switch on mains voltage.

Changing the brightness of the LED orientation light

When delivered, the luminaire (1) is at maximum brightness.

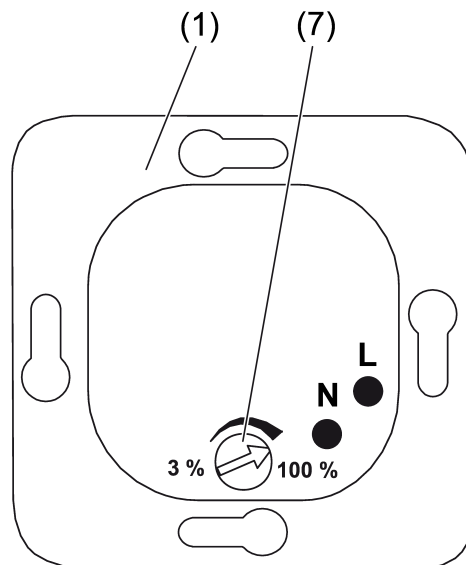


Image 3: Brightness adjuster



DANGER!

Mortal danger of electric shock.

The following work must be carried out under mains voltage and therefore may only be carried out by an electrician!

Only use insulated tools for the work! Cover up live parts in the working environment.

- Switch off mains voltage.
- Remove lamp cover.
- Remove flush-mounted insert (1) from the appliance box. When doing this, ensure insulation of the cables in accordance with regulations.
- Switch on mains voltage.
- Switch on luminaire with switch (6).
- Adjust brightness by turning the adjuster (7) (see figure 3).
- Switch off mains voltage.
- Mount the flush-mounted insert (1) in the appliance box. The terminals must be at the bottom.
- Fit lamp cover again.

- Switch on mains voltage.

7 Technical data

Rated voltage	AC 230 V ~
Mains frequency	50 Hz
Ambient temperature	-15 ... +40 °C
Power consumption	approx. 8.5 VA
Power factor	0.2
Brightness range	3 ... 100%
Number of LEDs	4
Colour temperature	
Order no. 2361 00	approx. 5000 K
Order no. 2364 00	approx. 2700 K
Connection	
Single stranded	1.5 mm ²

8 Warranty

The warranty is provided in accordance with statutory requirements via the specialist trade. Please submit or send faulty devices postage paid together with an error description to your responsible salesperson (specialist trade/installation company/electrical specialist trade). They will forward the devices to the Gira Service Center.

Gira
Giersiepen GmbH & Co. KG
Elektro-Installations-
Systeme

Industriegebiet Mermbach
Dahlienstraße
42477 Radevormwald

Postfach 12 20
42461 Radevormwald

Deutschland

Tel +49(0)21 95 - 602-0
Fax +49(0)21 95 - 602-191

www.gira.de
info@gira.de