

## Operating instructions

SCHUKO socket outlet 16 A 250 V~ with LED orientation light and shutter  
Order no. 4170 ..

Socket outlet with earth pin 16 A 250 V~, LED orientation light and shutter  
Order no. 4489 ..

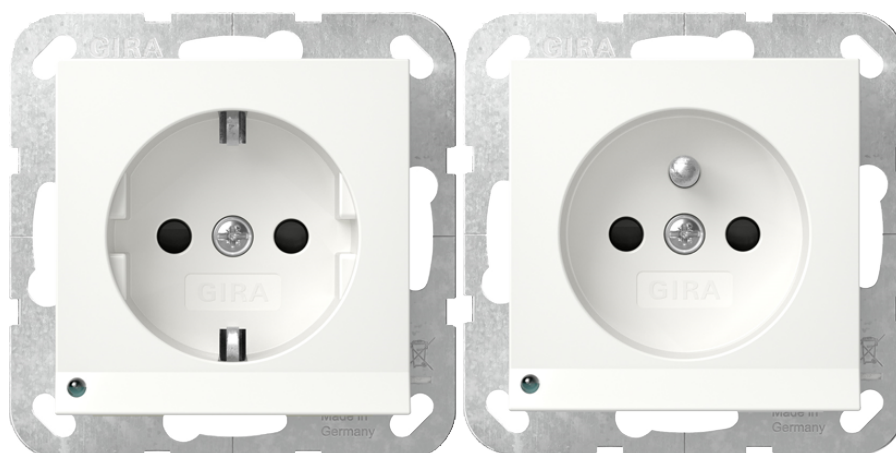


Table of contents

1	Safety instructions .....	3
2	Device components .....	4
3	Intended use .....	4
4	Product characteristics .....	4
5	Mounting and electrical connection .....	5
6	Technical data .....	5
7	Warranty .....	6

## 1 Safety instructions

Serious injuries, fire or property damage are possible. Please read and follow the manual fully.



Installation only by persons with appropriate electrotechnical knowledge and experience in the following areas:

- The "5 safety rules" to be observed are: disconnect; secure against reconnection; determine that no voltage is present; ground and short-circuit; cover or block off adjacent live parts
- Selection of suitable tools, measuring devices and, if necessary, personal protective equipment
- Evaluation of the measurement results
- Selection of the electrical installation material to ensure the shutdown conditions
- IP protection ratings
- Installation of the electrical installation material
- Type of mains supply (TN system, IT system, TT system) and the resulting connection requirements (classic earthing, protective earthing, necessary additional measures, etc.)

Improper installation endangers your own life and the lives of people using the electrical system and there is a risk of serious damage to property, e.g. through fire. You are at risk of personal liability for personal injury and damage to property.

**Contact an electrical fitter!**

**Danger of electric shock. Always disconnect before carrying out work on the device or load. In so doing, take all the circuit breakers into account, which support dangerous voltages to the device and or load.**

The device is not suitable for use in safety-related applications or as an emergency light.

This manual is an integral part of the product, and must remain with the customer.

## 2 Device components

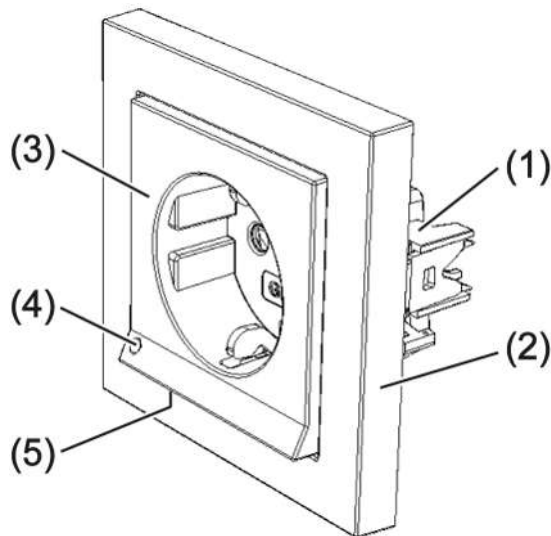


Image 1: Device components

- (1) Socket outlet base
- (2) Cover frame
- (3) Socket outlet insert
- (4) Light sensor
- (5) Light opening

## 3 Intended use

- Socket outlet with LED orientation light and shutter
- Stationary installation indoors in appliance box with dimensions according to DIN 49073

## 4 Product characteristics

Light sensor switches LED orientation light on at twilight, and switches it off again when the brightness is sufficient.

- i** Due to component tolerances, the orientation lights may switch at different brightness values.

## 5 Mounting and electrical connection



### DANGER!

Electric shock when live parts are touched.

Electric shocks can be fatal.

Always disconnect device before carrying out work on it. For this, switch off all the corresponding circuit breakers, secure against being switched on again, and check that there is no voltage. Cover up adjacent live parts.

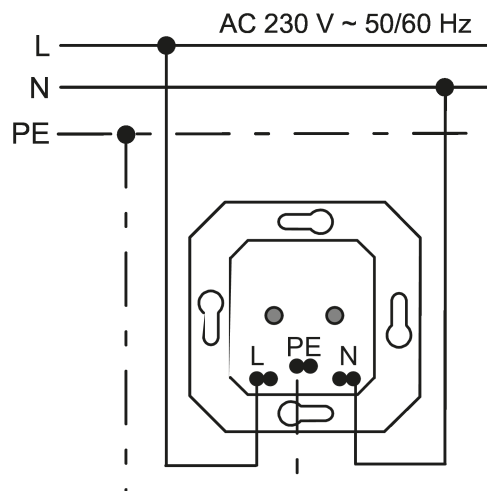


Image 2: Connection diagram

Install the socket outlet in such a way that the light sensor (4) (see figure 1) is not covered.

- Connect socket outlet base (1) (see figure 1) in accordance with circuit diagram (see figure 2).
- Mount socket outlet base (1) in an appliance box. Connection contacts of the socket outlet base must be at the bottom.
- Fit the cover frame (2) and socket outlet insert (3) (see figure 1) and fasten with screws.

## 6 Technical data

Rated voltage	AC 250 V~
Mains frequency	50 / 60 Hz
Standby power	0.175 W
Ambient temperature	0 ... +40°C
Power consumption	approx. 0.35 VA
Power factor	approx. 0.70
Rated load current	16 A (I <sub>L</sub> )
Circuit breaker	max. 16 A
Number of LEDs	4

Light colour	white
Clampable conductor cross-section	1.5 ... 2.5 mm <sup>2</sup>

## 7 Warranty

The warranty is provided in accordance with statutory requirements via the specialist trade. Please submit or send faulty devices postage paid together with a fault description to your responsible salesperson (specialist trade / installation company / electrical specialist trade). They will forward the devices to the Gira Service Center.

**Gira**  
**Giersiepen GmbH & Co. KG**  
Elektro-Installations-  
Systeme

Industriegebiet Mermbach  
Dahlienstraße  
42477 Radevormwald

Postfach 12 20  
42461 Radevormwald

Deutschland

Tel +49(0)21 95 - 602-0  
Fax +49(0)21 95 - 602-191

[www.gira.de](http://www.gira.de)  
[info@gira.de](mailto:info@gira.de)