



**GIRA**

**General safety instructions**

Electrical devices may only be installed and connected by a qualified electrician.

Improper installation may result in serious injury, e.g. from electrical shock or fire, as well as equipment damage. This product contains a rechargeable battery. Keep new and used batteries away from children. These instructions are part of the product and must remain with the end customer.

**Observe the commissioning order**

Commissioning order for the security system Alarm Connect:

1. Mount the alarm control unit and put it into commission (battery and 230 V connection).
2. Configure the project in the GPA and transfer it to the alarm control unit memory.
3. Install all other devices, put into commission (insert batteries, etc.) and check the wireless connection to the alarm control unit.
4. After successful verification, set the alarm control unit to operation mode. Failure to observe the commissioning sequence will render commissioning of the safety system unsuccessful.

**Product features**

The wireless indoor siren is used to sound an acoustic alarm for indoor use. In addition, the wireless indoor siren can also be used for audible confirmation when "arming or disarming" the security area. The device has an integrated tamper contact.

**Sticker with Hardware ID**

The device comes with two stickers with the Hardware ID. You can use one of the two stickers for your site map and simply scan the Hardware ID with an appropriate scanner during configuration in GPA.

**Included in delivery**

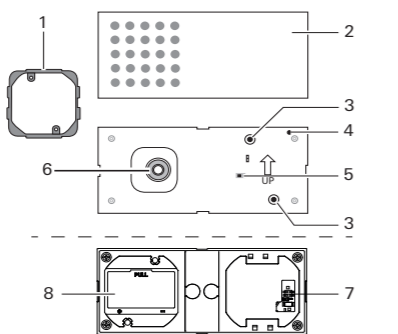
- 1 x wireless indoor siren
- 2 x support ring
- 1 x support ring adapter
- 1 x battery
- 1 x power supply DC 12 V, flush-mounted
- 1 x operating instructions
- 2 x stickers with Hardware ID

Ensure the package contents are complete and undamaged. Please see "Warranty" in case of any defects.

**Required accessories**

- Alarm control unit Connect (Item No. 5201 00)
- Wireless operating unit (item no. 5212 16)
- A corresponding Gira cover frame 2-gang without crossbar

**Device description**



- 1 Support ring adapter
- 2 Cover plate
- 3 Support ring adapter mounting screws
- 4 Status LED
- 5 Tamper contact (sabotage contact)
- 6 Acoustic transmitter
- 7 Connection to power supply
- 8 Battery compartment

**Selecting the installation site**

**Notes about the mounting location**

- Note the following:
- Mount horizontally.
  - Leave an area of at least 50 cm between the wireless indoor siren and ceilings, metal objects and other equipment.

**Socket outlet for power supply**

Be sure that the wireless indoor siren is mounted near a socket outlet that is easily accessible. The socket outlet should have its own fuse circuit.

**Mounting the wireless indoor siren**

The installation site must be chosen in such a way that the indoor siren is clearly audible.

**"UP" marking**

Note the following: The way in which the 12 V DC flush-mounted power supply is installed is determined by the "UP" marking on the front of the wireless indoor siren. It is rotated by 90° anti-clockwise (position of the connection pins).



1. Switch off the power supply.
2. Detach the cover.
3. Lock the support ring adapter onto the first support ring and install in the right flush-mounted device box.
4. Lock the 12 V DC flush-mounted power supply onto the second support ring.
5. Connect the flush-mounted power supply to the power supply and install in the left flush-mounted device box.

**Commissioning the wireless indoor siren**

**Conditions for device commissioning**

The project must first be successfully commissioned in GPA (see "Commissioning order").

**Gira Project Assistant (GPA)**

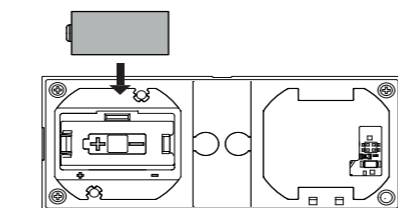
The security system Alarm Connect is configured via GPA. The following settings are made in GPA for the wireless indoor siren:

- Enter device name.
- Assign device ID.
- Set acoustic signal duration.
- Parameterise alarm forwarding.
- Behaviour upon status "Activated externally"
- Put the project into commission.

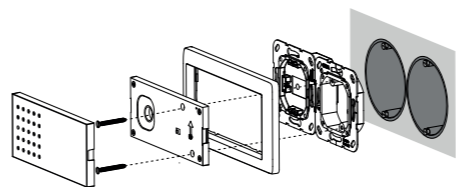
1. Parameterise the wireless indoor siren in GPA and put the project into commission.
2. Insert battery (**observe polarity!**) and wait for initialisation phase. The wireless indoor siren is automatically detected by the alarm control unit Connect.

**Batteries inserted too early**

If the units have been activated before start-up, they are in "sleep mode" and can no longer connect to the alarm centre. In this case, the batteries must be removed and reinserted.



3. Position the Gira cover frame, 2-gang without crossbar, and plug the wireless indoor siren into the flush-mounted power supply.
4. Screw the wireless indoor siren onto the support ring adapter.
5. Attach the cover onto the wireless indoor siren.



6. Switch on power supply.

**Status LED**

Behaviour	Meaning
Lights up red continuously	Tamper alarm
Alternates quickly between green and red	Initialisation phase
Blinks red, quickly and for a max. of 10 s	Error initialisation phase
Blinks green, quickly and for a max. of 5 s	Registration phase
Lights up green for approx. 3 s, then turns off	Registration successful
Blinks red in short intervals for a max. of 10 s	Registration error
Blinks green, quickly every 2 s and in cases of a status change, 1x quick red flash	Test run

**Stand-by mode**

After commissioning of the device, communication must take place between the device and the alarm control unit Connect within 7 min. After 7 min the device automatically switches to stand-by mode. If the device does not receive a signal from the alarm control unit Connect within the 7 min period, the stand-by mode can not be ended automatically.

The device must then be reactivated (remove and replace the battery) so that communication can be established with the alarm control unit Connect. Always observe the commissioning order.

**Check the signal quality of the wireless connection**

**Check the wireless connection to the alarm control unit**

Check the signal quality of the wireless connection between the alarm control unit Connect and the device.

1. Activate the test mode in the GPA under [security system] -> [Diagnosis and test]. The wireless indoor siren automatically sends a signal.
2. Check the signal quality.
  - Bad signal quality:** Insert a wireless repeater and check the signal quality again.
  - Good signal quality:** End test mode.

**Behaviour in case of mains failure**

In the event of a mains voltage failure, the internal back-up battery will supply the wireless indoor siren with power. When the mains voltage returns, the back-up battery does not charge back up on its own.

**Replacing the battery**

**WARNING**

**Explosion hazard in case of improper handling of batteries.** Do not throw batteries into the fire, and do not recharge batteries, as this may result in a risk of explosion.

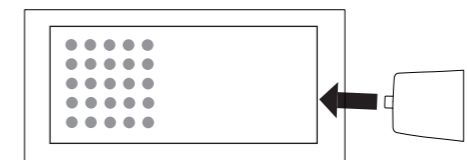
**WARNING**

**Danger of acid burns from bursting or leaking batteries.** Always change an empty battery for a new one of the same type.

**Replacing the battery**

Replace the battery as soon as the "low battery" display appears in the Display of the wireless operating unit.

1. Remove the wireless indoor siren cover from the wireless indoor siren using the unlocking tool. The tamper alarm is triggered.



2. Loosen the two mounting screws on the support ring adapter and disconnect the wireless indoor siren.
3. Remove the batteries from the battery compartment and replace the battery with a new one of the same type (see technical data). **Observe polarity!**
4. Screw the wireless indoor siren back onto the support ring adapter.
5. Reattach the cover to the wireless indoor siren.
6. Acknowledge the tamper alarm on the wireless operating unit.

Remove empty batteries immediately and dispose of them in an environmentally-friendly way. Do not dispose of batteries with household waste. Local authorities provide information about environmentally-sound disposal. The end consumer is legally required to return used batteries in accordance with legislative requirements.

**Technical data**

<b>Power supply</b>	
External:	Type B: DC 12 V
Internal (additional):	Type C: Internal back-up battery
<b>Back-up battery</b>	
Type:	CR 123A
Capacity:	1.4 Ah
Voltage:	3 V
Quantity:	1
<b>Battery life</b>	
With battery operation:	approx. 30 days
With 12 V supply:	approx. 5 years
<b>Wireless</b>	
Frequency band:	868.0 - 868.6 MHz 868.7 - 869.2 MHz
Transmission capacity:	max. 10 mW
Range:	100 m (free field)
<b>Device – general</b>	
Volume of signal tone:	approx. 90 dBA
Optical display:	Status LED (red/green)
Ambient temperature:	-10°C to +55°C
Storage temperature:	-35°C to +70°C
Humidity:	93 %
Environmental class:	II
Compliant with:	EN 50131 Level 2 EN 62368-1 EN 301489-1 EN 301489-3 EN 61000-6-3 EN 50130-4 EN 300220-1 EN 300220-2 EN 50130-5 EN 50131-1 EN 50131-4 EN 50131-5-3 Telefication B.V.

Certification body:  
Dimensions (H x W x D): 55 x 126 x 13 mm

**Conformity**

Gira Giersiepen GmbH & Co. KG hereby declares that the wireless system type item no. 5231 03 conforms to Directive 2014/53/EU. The complete text of the EU Declaration of Conformity can be found either in the download area ([gira.de/Konformitaet](http://gira.de/Konformitaet)), or directly via the online catalogue at the product ([katalog.gira.de](http://katalog.gira.de)).

**Disposal**

The Gira wireless indoor siren is an electric and electronic device in the sense of Directive 2012/19/EU. High-quality materials and components were used in developing and manufacturing the device. These materials and components can be reused and recycled. Please consult the regulations governing the separate collection of electric/electronic waste applicable for your country. These devices may not be disposed of with household waste. The correct disposal of waste can prevent possible negative consequences to the environment and humans.

## **Warranty**

---

The warranty is provided in accordance with statutory requirements via the retailer. Please submit or send faulty devices postage paid and with an error description to your sales representative (retailer / installation company / electrical contractor). The salesperson will forward the devices to the Gira Service Centre.

## **Gira**

---

Gira  
Giersiepen GmbH & Co KG  
Electrical installation  
systems

P.O. Box 1220  
42461 Radevormwald  
Phone: +49 2195 602 - 0  
Fax: +49 2195 602 - 191  
info@gira.de  
www.gira.de