

Wireless wall transmitter, 1-gang with inscription space

Order No. : 5331..

Wireless wall transmitter, 3-gang with inscription space

Order No. : 5333 ..

Operating instructions**1 Safety instructions**

Electrical devices may only be mounted and connected by electrically skilled persons.

Serious injuries, fire or property damage possible. Please read and follow manual fully.

Keep button cells out of reach of children! If button cells are swallowed, get medical help immediately.

Risk of explosion! Do not throw batteries into fire.

Risk of explosion! Do not recharge batteries.

The radio communication takes place via a non-exclusively available transmission path, and is therefore not suitable for safety-related applications, such as emergency stop and emergency call.

These instructions are an integral part of the product, and must remain with the end customer.

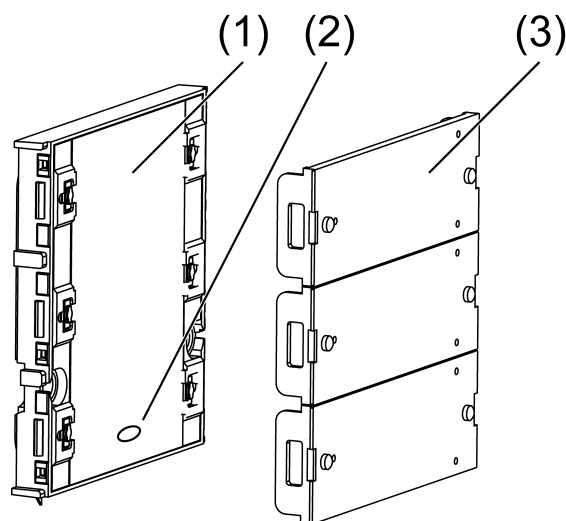
2 Device components

Figure 1: Radio wall transmitter

- (1) Radio wall transmitter
- (2) Button **Prog**, covered
- (3) Button covers

3 Function**Intended use**

- Radio sensor for transmission of switching, dimming, blind movement and scene commands
- Operation with radio actuators from the eNet system

Product characteristics

- Two adjacent buttons each belong to one channel
- Two-coloured LEDs to the right and left of the buttons for signalling
- The switch-on brightness in combination with dimmer actuators can be saved.
- Battery-powered device
- Signalling of transmission errors can be switched off
- Scenes, radio wall transmitter, 1-gang: All Off, one individual scene
- Scenes, radio wall transmitter, 3-gang: All Off, five individual scenes

Can be set with eNet server:

- Scene All On
- Operation locks

Supplementary functions with eNet Server

- Fully encrypted radio transmission (AES-CCM) from eNet Server software version 2.0
- Update of the device software
- Reading of error memory

4 Operation

- i** When operating with the eNet Server, operation and signalling could vary from what is described here.

Function of status LED in operation

As soon as a button is pressed or released, the corresponding status LED first signals radio communication

- The status LED lights up red for 3 seconds

and then the actuator status/group status on operation with channel buttons

- Left status LED turns green for 3 seconds:
At least one actuator is switched on, or one Venetian blind is not in the top end position
- Right status LED turns green for 3 seconds:
All the actuators are switched off or the blinds are all in the upper end position

or the actuator status/group status on operation with scene buttons

- Status LED turns green for 3 seconds:
At least one actuator is switched on, or one Venetian blind is not in the top end position
- Status LED remains off:
All the actuators are switched off or the blinds are all in the upper end position

- i** If there is no status message from at least one actuator, a transmission error is signaled. Status LED flashes red quickly for 5 seconds.

Channel assignment of the wall transmitter

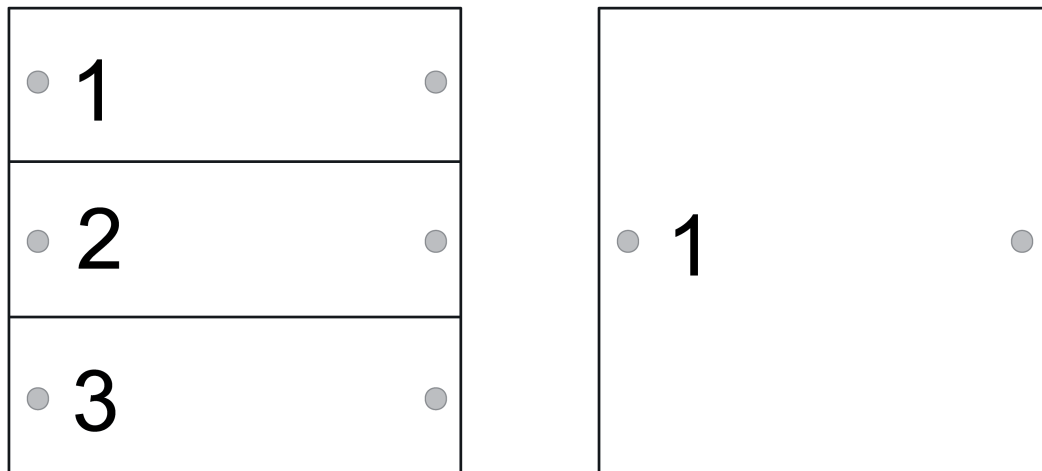


Figure 2: Channel assignment for operation

Operating light

- Switching: Press button for less than 0.4 seconds.
- Dimming: Press the button for longer than 0.4 seconds. The dimming process ends when the button is released.
- Switching on dimmer actuators at minimum brightness: Press the right button for longer than 0.4 seconds.
- Switching on dimmer actuators at minimum brightness and dimming to maximum brightness: Press the left button for longer than 0.4 seconds.

Operating blind

- Moving the Venetian blind: Press the button for longer than 1 second.
- Stopping or adjusting the Venetian blind: Press the button for less than 1 second.

Operating push-button actuator

- Press the button. The load is switched on for the duration of the button-press.
- i** The maximum actuation length is 60 seconds.

Recalling scenes

- Press the scene button briefly.
Actuators switching to the saved scene.

Changing scene

- Press the scene button briefly.
Actuators switching to the saved scene.
- Setting a new scene.
- Press scene button for longer than 4 seconds.
Actuators first switching to the old scene and save the new scene after 4 seconds.

Save switch-on brightness

With dimmer actuators a brightness value can be saved to which the dimmer actuator switches after a short button press.

The buttons of a channel are set as channel buttons.

- Set required switch-on brightness.

- Press both buttons of a channel simultaneously for longer than 4 seconds. The light is briefly switched off and switched on again to the switch-on brightness. Switch-on brightness is saved.

Polling sum status

The buttons of a channel are set as channel buttons.

- Press both buttons of a channel simultaneously for 1 to 4 seconds. Signalling of radio transmission and group status (see function of the status LED in operation)

5 Information for electrically skilled persons

5.1 Fitting and electrical connection

Connecting and fitting the device

To ensure good transmission quality, keep a sufficient distance from any possible sources of interference, e.g. metallic surfaces, microwave ovens, hi-fi and TV systems, ballasts or transformers.

- i** Perform commissioning procedures before installation (see chapter Commissioning).
- i** Mount the wall transmitter in the correct position, button **Prog** (2) at bottom.

Screw mounting

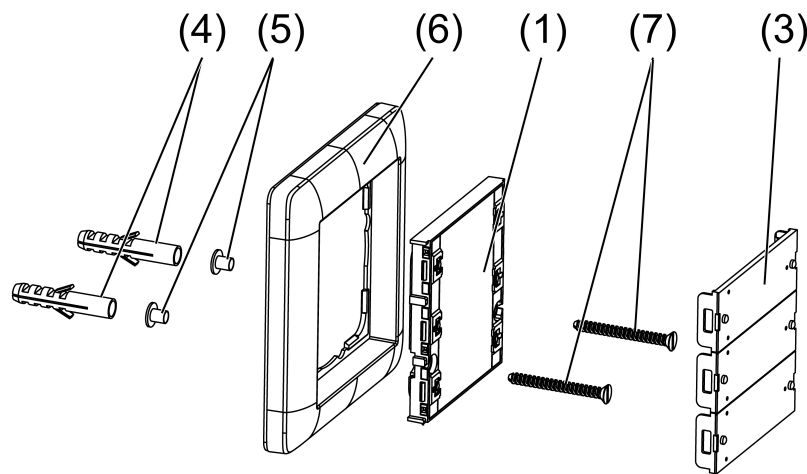


Figure 3: Screw mounting

- Using a screwdriver, carefully remove the button covers (3).
- Insert supplied threaded sleeves (5) through the screw holes from the rear.
- Mount the wall transmitter (1) and frame (6) directly to the wall using the screws (7) and anchors (4).
- Attach the button covers.

Glue mounting

In order to glue the wall transmitter directly to an even surface, e.g. glass, a base plate is available (see accessories).

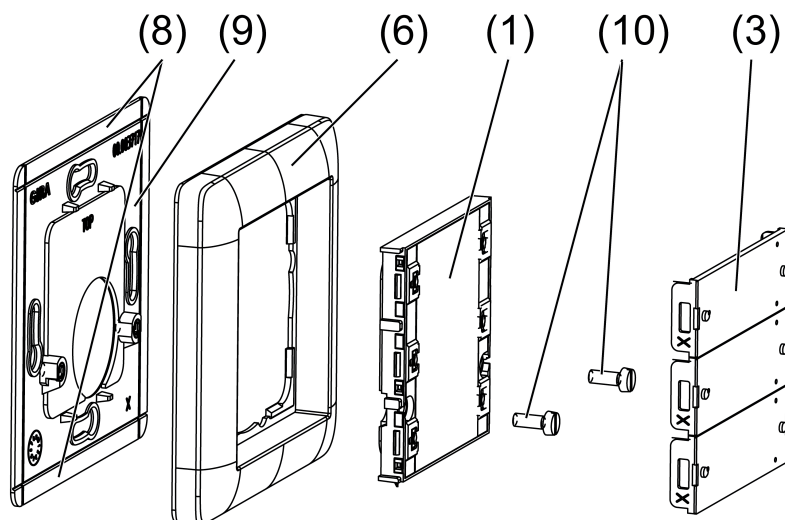


Figure 4: Glue mounting

- i** For multiple combinations with glue mounting, the edge pieces (8) of neighbouring base plates have to be broken off at the predetermined breaking points.

To ensure good adhesion, the substrate must be flat and free of dust and grease.

- Glue the base plate (9) (see Accessories chapter) directly to the surface.
- Using a screwdriver, carefully remove the button covers (3).
- Fix the wall transmitter (1) and frame (6) with the screws (10).
- Attach the button covers.

Installation in appliance box

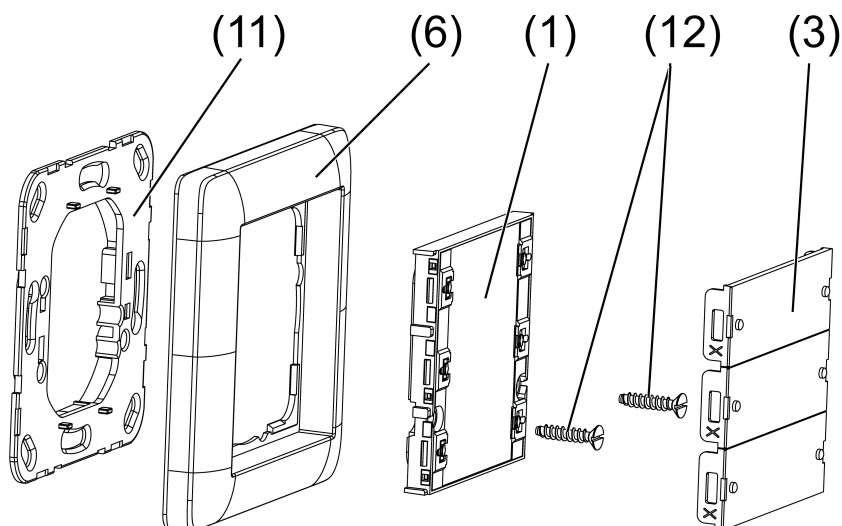


Figure 5: Installation in appliance box

- Use screws to fasten the supporting frame (11) (see Chapter 'Accessories') to the appliance box.
- Using a screwdriver, carefully remove the button covers (3).
- Use screws (12) to mount the wall transmitter (1) and frame (6) to the supporting frame).
- Attach the button covers.

5.2 Commissioning



DANGER!

Electrical shock when live parts are touched.

Electrical shocks can be fatal.

During commissioning, cover the parts carrying voltage on radio transmitters and actuators and in their surrounding area.

Insert battery



WARNING!

Risk of chemical burns.

Batteries can burst and leak.

Replace batteries only with an identical or equivalent type.

The battery holder is located on the rear side.

- Using a screwdriver, carefully remove the button covers and unscrew the device.
 - ⓘ Keep contacts of batteries and device free of grease.
 - Apply battery to the positive contact of the battery holder. Observe polarity: the positive pole of the battery must be at the top.
 - Press gently on battery to snap it in.
- The wall transmitter is ready for operation.

Configuring the buttons

In the as-delivered state, all the buttons are configured as channel buttons.

- Using a screwdriver, carefully remove operating rockers.
- Press the **Prog** (Figure 1) button for approx. 1 second.
The left-hand status LEDs of the channels turn green. The wall transmitter is in configuration mode for 3 seconds.
- Setting as channel buttons: Press the left button of the appropriate channel until the status LED turns green.
The right and left button of the channel are set as channel buttons.
- Setting as scene button: Press the right button of the appropriate channel until the right status LED turns green.
The right and left button of the channel are set as scene buttons.

Overview of scene buttons

Buttons	Button allocation
1 left / 1 right	Scene 1 / All Off
2 left / 2 right	Scenes 2 / Scene 3
3 left / 3 right	Scenes 4 / Scene 5

- ⓘ Buttons 2 and 3 only for 3-gang wall transmitters

Connecting to radio actuator

- ⓘ Up to 10 radio actuators can be connected to a transmitter in a single step.
 - Switch the actuator to programming mode (see actuator instructions).
 - Press the **Prog** button for longer than 4 seconds.
Status LEDs flash red. The wall transmitter is in programming mode for approx. 1 minute.
 - Press the right or left button of the required channel or the scene button briefly

The appropriate status LED lights up for approx. 5 seconds, and the channel buttons or scene button are connected to the actuator. The wall transmitter and actuator exit the programming mode automatically.

- i** If the appropriate status LED of the radio transmitter flashes 3 times at 1-second intervals for approx. 5 seconds, then the programming operation was not successful. The actuator is outside radio range, not in programming mode or there are radio faults.
- i** If the status LED of the actuator flashes 3 times at 1-second intervals for approx. 5 seconds, then the programming operation was not successful. All the memory locations in the actuator or radio transmitter are occupied.
- i** The All Off button is connected to the actuator automatically as soon as the first connection to a radio transmitter takes place. Scene buttons must be connected separately.
- i** Press the **Prog** button once again for longer than 4 seconds to terminate the programming mode earlier.

Polling button programming

- Press the **PROG** button for approx. 1 second.
All functions are terminated.
The left-hand Status LED turns green on programming as channel buttons.
The right-hand Status LED turns green on programming as scene buttons.

Disconnecting connection to an actuator

- Carry out the same steps as when connecting (see the chapter Connecting to radio actuator).
The status LED of the actuator flashes quickly for 5 seconds. The actuator is disconnected from the radio transmitter. The actuator and radio transmitter exit the programming mode automatically.
- i** If there several connections or scene buttons for an actuator, all the connections must be disconnected individually.
- i** All On and All Off buttons of a radio transmitter are disconnected automatically as soon as the last connection to the actuator is disconnected. Manual disconnection is not possible.

Resetting the channel or scene button

All the connections of the channel buttons or the scene button to actuators are disconnected and parameters are reset to default setting.

- i** The connections in the actuators are preserved and must be deleted separately.
 - Press the **Prog** button for longer than 20 seconds.
The status LEDs flash red after 4 seconds. The status LEDs flash more quickly after 20 seconds.
 - Release the **Prog** button and press briefly a channel button of the appropriate channel or the scene button once again within 10 seconds.
The appropriate status LED flashes more slowly for approx. 5 seconds.
The channel buttons or the scene button has been reset. The setting as channel buttons or scene button is retained.

Resetting wall transmitter to the default setting

All connections to actuators are disconnected and parameters are reset to default setting.

- i** The connections in the actuators are preserved and must be deleted separately.
- i** In the case of channel buttons, signalling only takes place using the right-hand LED and, in the case of scene buttons, using the left and right-hand LEDs.
 - Press the **Prog** button for longer than 20 seconds.
The status LEDs flash red after 4 seconds. The status LEDs flash more quickly after 20 seconds.
 - Release **Prog** button and press briefly once again within 10 seconds.
The status LED flashes more slowly for approx. 5 seconds.

The wall transmitter is reset to default setting. All the buttons are set as channel buttons.

6 Appendix



Remove empty batteries immediately and dispose of in an environmentally friendly manner. Do not throw batteries into household waste. Consult your local authorities about environmentally friendly disposal. According to statutory provisions, the end consumer is obligated to return used batteries.

6.1 Technical data

Rated voltage	DC 3 V
Battery type	1×Lithium CR 2450N
Ambient temperature	-5 ... +45 °C
Degree of protection	IP 20
Transmitting range in free field	typ. 100 m
Radio frequency	868.0 ... 868.6 MHz
Transmission capacity	max. 20 mW
Receiver category	2

6.2 Parameter list

The device parameters can be changed with the eNet server:

Device configuration

Parameter name	Setting options, Basic setting	Explanations
Function	Rocker, Other modes, Unused Basic setting: Rocker	<p>Rocker The channel works as a channel button. Setting is always made in pairs.</p> <p>Other modes The channel works as a scene button. Setting is always made in pairs.</p> <p>Unused The channel is not displayed in the eNet SMART HOME app and is disabled for use in the commissioning interface.</p>
Operating mode	App use, lock-out protection, forced operation, wind alarm, sun protection, twilight Basic setting: App use	Setting the type of scene used for a scene button. Setting is always made in pairs.

Advanced settings

Parameter name	Setting options, Basic setting	Explanations
Manual commissioning	On, Off Basic setting: On	Disables manual commissioning for all device channels. Note: In the "Off" setting, the device cannot be reset to the factory setting.

Extended channel settings

Parameter name	Setting options, Basic setting	Explanations
----------------	--------------------------------	--------------

Manual commissioning	On, Off Basic setting: On	Blocks manual commissioning for the device channel. Note: In the "Off" setting, the device cannot be reset to the factory setting.
Local Operation	On, Off Basic setting: On	Blocks the device channel for local operation.

6.3 Troubleshooting

After a button actuation, the status LED of the channel or scene button flashes red slowly for 3 seconds.

Cause: battery in the wall transmitter is almost empty.

Changing the battery (see chapter Commissioning – Inserting the battery).

The receiver does not react and the status LED of the channel or scene button displays a transmission error. Status LED flashes red quickly for 3 seconds.

Cause 1: Radio range exceeded. Structural obstacles reduce the range.

Using a radio repeater.

Cause 2: Actuator is not ready for operation.

Check the actuator and mains voltage.

Cause 3: There are radio faults, e.g. through outside radio.

Eliminate radio interference.

- i** The actuator causing the transmission error can be removed from the display of transmission errors. To do this, briefly press the **Prog** button of the wall transmitter during signalling. The status LED lights up red. During this time, do not press any button on the wall transmitter. The actuator is automatically taken into account again when it transmits a status message after radio transmission.

After a button has been pressed, the status LED flashes red quickly for 3 seconds.

Cause: Maximum permitted transmission period (statutory Duty Cycle Limit) has almost been reached. For the function of the transmitter to continue, the polling and display of the sum status will be switched off. As soon as sufficient transmission time is available again, the sum status will again be polled on button actuation.

Actuate the transmitter again after a short waiting time, normally a few seconds.

Reduce the number of actuations.

Reduce the number of actuators connected to the transmitter.

6.4 Accessories

Mounting plate set
Support ring, plastic

Order No. 5339 00

Order No. 5338 00

6.5 Conformity

Gira Giersiepen GmbH & Co. KG hereby declares that the radio system type

Order No. 5331.. / 5333 ..

corresponds to the directive 2014/53/EU. You can find the full article number on the device. The complete text of the EU Declaration of Conformity is available under the Internet address:

www.gira.de/konformitaet

6.6 Warranty

The warranty follows about the specialty store in between the legal framework as provided for by law

Please submit or send faulty devices postage paid together with an error description to your responsible salesperson (specialist trade/installation company/electrical specialist trade). They will forward the devices to the Gira Service Center.

Gira
Giersiepen GmbH & Co. KG
Elektro-Installations-
Systeme

Industriegebiet Mermbach
Dahlienstraße
42477 Radevormwald

Postfach 12 20
42461 Radevormwald

Deutschland

Tel +49(0)21 95 - 602-0
Fax +49(0)21 95 - 602-191

www.gira.de
info@gira.de