

Operating instructions

Motion detector top unit 1.10 m Standard
Order no. 5373 ..

Motion detector top unit 1.10 m Standard
Order no. 5379 ..

Motion detector top unit 2.20 m Standard
Order no. 5375 ..



Table of contents

1	Safety instructions	3
2	Intended use	3
3	Operation	4
4	Information for electrically skilled persons	5
4.1	Mounting and electrical connection	6
4.2	Commissioning	11
5	Technical data	12
6	Troubleshooting	13
7	Warranty	13

1 Safety instructions



Electrical devices may be mounted and connected only by electrically skilled persons.

Serious injuries, fire or property damage are possible. Please read and follow the manual fully.

Danger of electric shock. Always disconnect before carrying out work on the device or load. In so doing, take all the circuit breakers into account, which support dangerous voltages to the device and or load.

Danger of electric shock. Device is not suitable for disconnection from supply voltage because – depending on the insert used – mains potential even is applied on the load when the device is switched off. Always disconnect before carrying out work on the device or load. To do so, switch off all associated circuit breakers.

Do not press on the sensor window. Device can be damaged.

The device is not suitable for use as a burglar alarm or other alarm.

This manual is an integral part of the product, and must remain with the customer.

2 Intended use

- Automatic switching of lighting depending on the heat motion and ambient brightness
- Operation with flush-mounted insert for dimming or switching or 3-wire extension
- Wall installation on flush-mounted insert

Product characteristics

- Extension of the detection field in combination with 3-wire extension
- Operation with 2-wire or 3-wire extension, rotary extension, or push-button
- Switch on with last saved brightness or saved switch-on brightness, with dimming insert
- Switch-on brightness can be saved permanently via extension, with dimming insert
- Dimming light via extension with dimming insert

Order no. 5373 .., 5375 ..

- Fixed run-on time
- Selectable sensitivity
- Selectable brightness threshold

Order no. 5379 ..

- Fixed sensitivity
- Selectable run-on time
- Selectable brightness threshold

Motion detector 1.10 m

- Screen for limiting the detection area

Automatic operation

The device detects heat motions of people, animals and objects.

- The light is switched on if a person enters the detection field and the brightness threshold is below the set brightness threshold.
- The run-on time restarts with each detected motion.
- The light is switched off if:
no more movement is detected in the detection field and the run-on time has elapsed or
the ambient light is too bright and the run-on time has elapsed.

To avoid any switch-on caused by a cooling lamp, no movement signals are evaluated for a brief lockout time after switching off. The motion detector adjusts itself to the ambient conditions to keep the time as short as possible.

Behaviour after a mains voltage failure

After mains voltage return, the device performs a self-test for a maximum of 60 seconds. After the self-test has been completed, the device is ready for operation.

The following applies during the self-test:

- The load is switched on.
- Movements are not detected

3 Operation

Precondition: A 2-wire or 3-wire extension with push-button cover or a push-button is connected.

Multiple extensions can be combined with each other. Operation with the rotary dimmer extension is described in the rotary dimmer extension instructions.

Switching on light for the duration of the run-on time

- Press the push-button cover or push-button for less than 0.4 seconds.

Light is switched on depending on brightness and motion. Movements are evaluated according to the brightness and prolong the run-on time.

- i** If the push-button cover or push-button is pressed again in the switched-on state, the run-on time is restarted. In combination with a dimming insert, switch-on brightness is switched on again.

Dim the light

Only in combination with a main device with a dimming insert.

- Press the push-button cover at the top or bottom or the push-button for longer than 0.4 seconds. Light becomes brighter or dimmer as far as the respective limit value.

i Push-button: The dimming direction is changed with each new long actuation.

Saving the switch-on brightness

Only in combination with a main device with a dimming insert.

In the state as supplied, the switch-on brightness is set to maximum brightness.

- Set light to the required brightness.
- Press the push-button cover over entire surface for longer than 4 seconds.

Switch-on brightness is saved. For confirmation, the light is switched off briefly and switched on again.

i An push-button cannot be used to save the switch-on brightness.

Deleting the switch-on brightness

Only in combination with a main device with a dimming insert.

- Press the push-button cover briefly: Light switches on at the saved switch-on brightness.
- Press the push-button cover over entire surface for longer than 4 seconds.

The switch-on brightness is deleted. On switching on, the dimming insert switches to the last set brightness value. For confirmation, the light is switched off briefly and switched on again.

i A push-button cannot be used to delete the switch-on brightness.

4 Information for electrically skilled persons



DANGER!

Electric shock when live parts are touched.

Electric shocks can be fatal.

Always disconnect before carrying out work on the device or load. For this, switch off all the corresponding circuit breakers, secure against being switched on again, and check that there is no voltage. Cover up adjacent live parts.

4.1 Mounting and electrical connection

Motion detection

The detection of heat sources through a motion detector and thus the extent of the detection field is influenced by the following criteria:

Geometry of the detection field, assembly height and set sensitivity (see figure 1) up to (see figure 10)

Direction of movement : Passing the motion detector tangentially results in a heat signal which can be evaluated well. If movement is radial to the sensor, the heat signal is smaller and thus harder to evaluate, resulting in a smaller range.

- i** The following specifications on the extent of the detection field are general guide values. Discrepancies can occur depending on the installation environment and the intensity of the heat motion.

Motion detector cover 1.10 m detection field and range

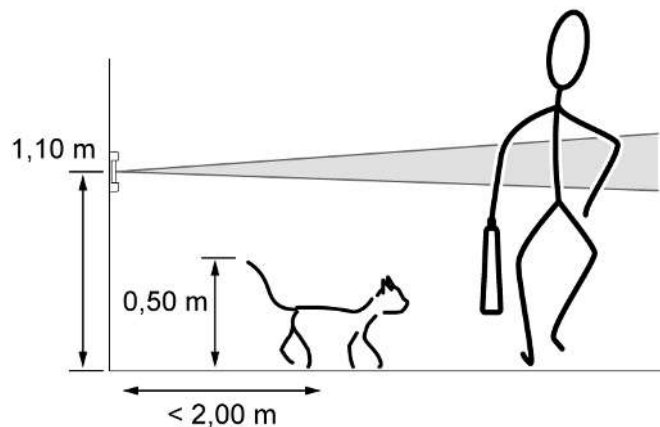


Image 1: Motion detector cover 1.10 m detection field and installation height

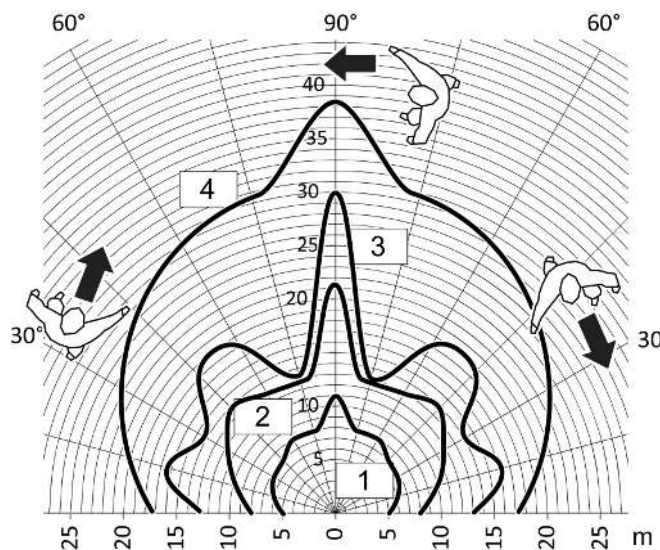


Image 2: Range with tangential direction of motion for motion detector cover 5373 ..

- 1 25% sensitivity

- 2 50% sensitivity
- 3 75% sensitivity
- 4 100% sensitivity

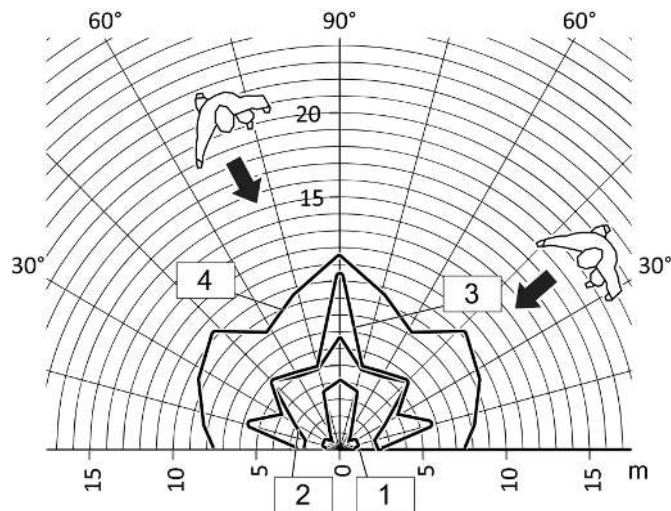


Image 3: Range with radial direction of motion for motion detector cover 5373 ..

- 1 25% sensitivity
- 2 50% sensitivity
- 3 75% sensitivity
- 4 100% sensitivity

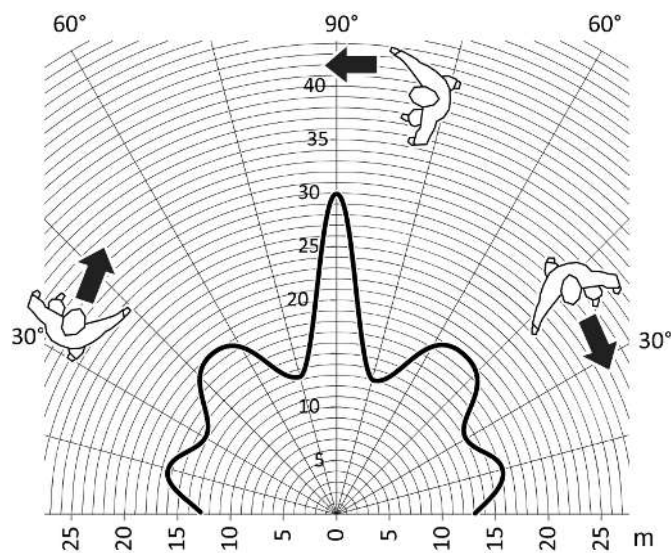


Image 4: Range with tangential direction of motion for motion detector cover 5379 ..

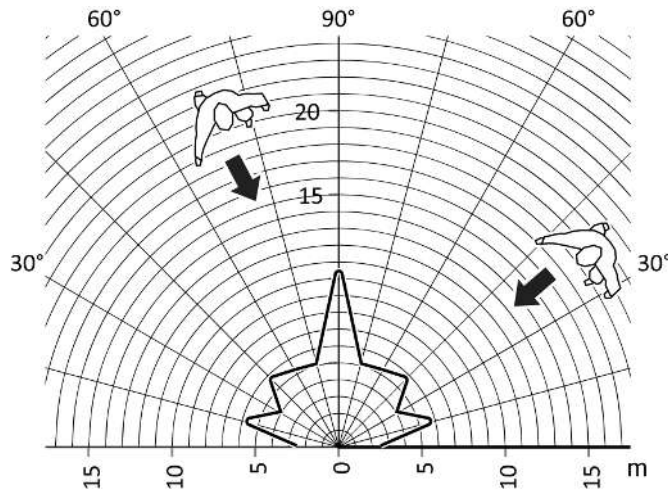


Image 5: Range with radial direction of motion for motion detector cover 5379 ..

Motion detector cover 2.20 m detection field and range

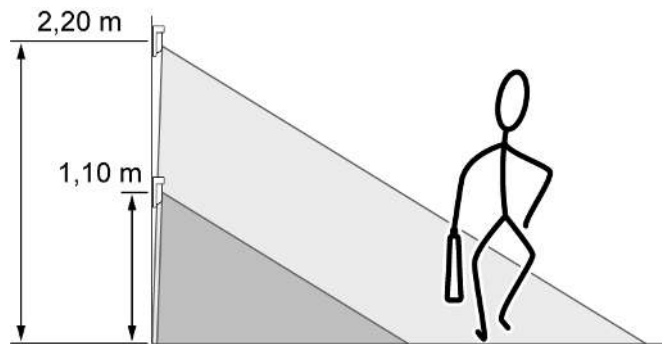


Image 6: Motion detector cover 2.20 m detection field and installation height

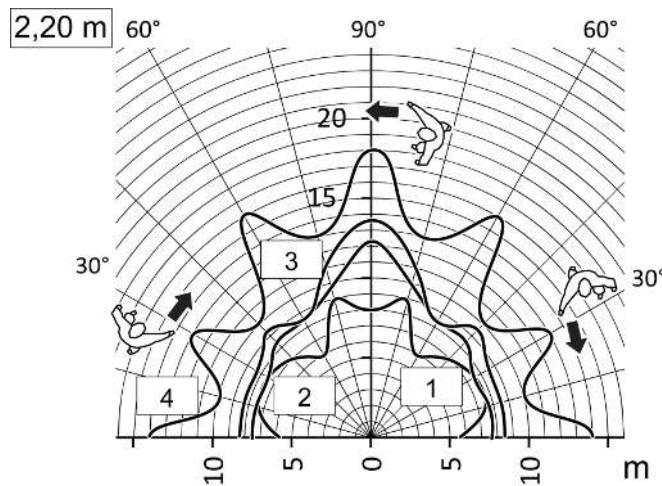


Image 7: Range with tangential direction of motion for motion detector cover 2.20 m, mounting height 2.20 m

- 1 25% sensitivity
- 2 50% sensitivity
- 3 75% sensitivity
- 4 100% sensitivity

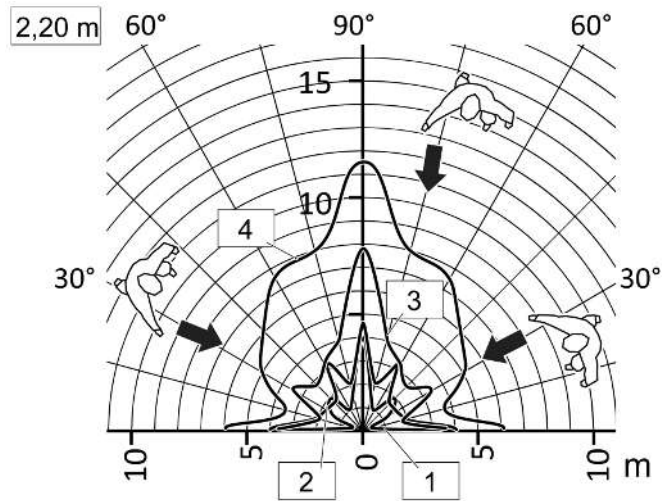


Image 8: Range with radial direction of motion for motion detector cover 2.20 m, mounting height 2.20 m

- 1 25% sensitivity
- 2 50% sensitivity
- 3 75% sensitivity
- 4 100% sensitivity

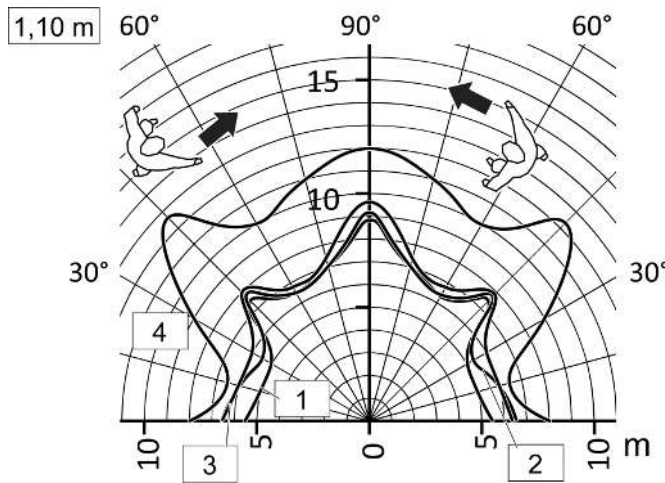


Image 9: Range with tangential direction of motion for motion detector cover 2.20 m, mounting height 1.10 m

- 1 25% sensitivity
- 2 50% sensitivity
- 3 75% sensitivity
- 4 100% sensitivity

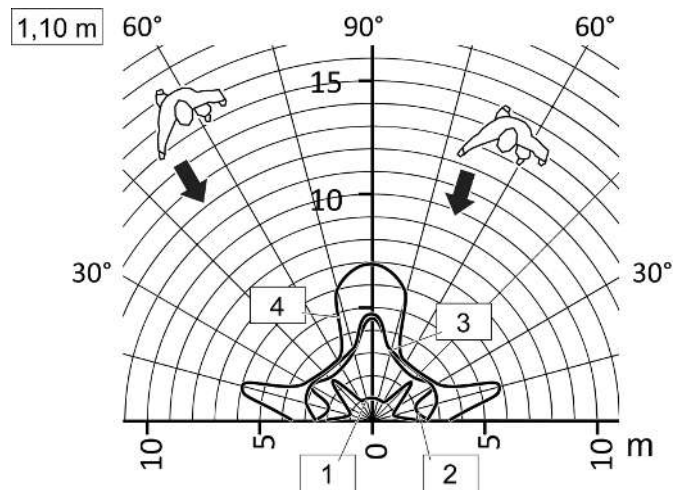


Image 10: Range with radial direction of motion for motion detector cover 2.20 m, mounting height 1.10 m

- | | |
|---|------------------|
| 1 | 25% sensitivity |
| 2 | 50% sensitivity |
| 3 | 75% sensitivity |
| 4 | 100% sensitivity |

Selecting installation location

- Select a vibration-free installation location. Vibrations can lead to unwanted switching.
- To achieve optimum range, choose an installation location that is tangential to the direction of motion.
- Avoid heat sources in the detection field such as heating units, outlets of ventilation systems or air conditioners, copiers, printers, coffee machines, draughty doorways, animals etc.

Mounting the cover

- Connecting and mounting the FM insert properly (see flush-mounted insert instructions).
- Fit the cover with frame on the flush-mounted insert.

Expanding the detection field

To expand the detection field, connect a 3-wire extension with motion detector cover. The main device also evaluates signals of the extension and, if necessary, switches the lighting on.

Limiting the detection field motion detector cover 1.10 m

The detection field can be limited using a panel (see figure 11) and (see figure 12).

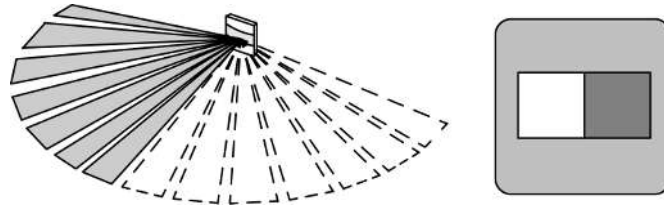


Image 11: Limiting the detection field motion detector cover 1.10 m

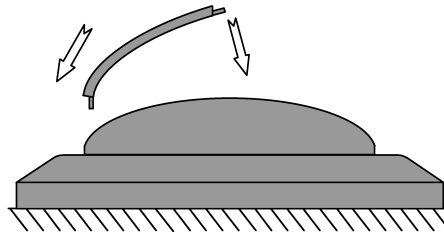


Image 12: Mounting cover panel 90°

4.2 Commissioning

Make settings

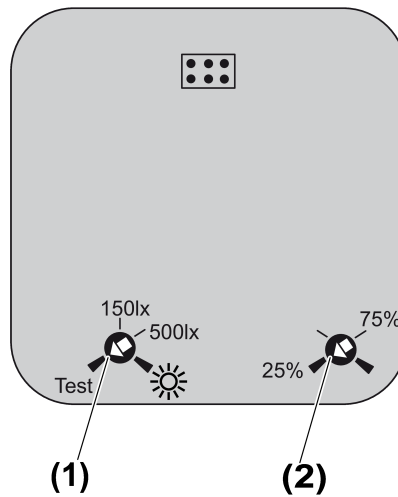


Image 13: Adjuster motion detector order no. 5373 ..., 5375 ..

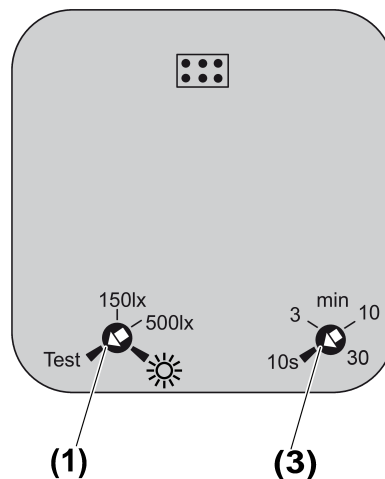


Image 14: Adjuster motion detector order no. 5379 ..

The adjusters for the brightness threshold and sensitivity or run-on time are located on the rear of the motion detector cover.

Setting the brightness threshold

Set the brightness threshold on the covers of the main device and all extensions. Different values can be set on the main device and extensions. There are 4 defined values for the brightness threshold. In setting ☀, the motion detector operates independently of the brightness (day operation). Setting **150lx** for stairways according to DIN EN12464-1, 2003-3.

- Turn adjuster (1) (see figure 13), (see figure 14).

Setting the sensitivity, order no. 5373 .., 5375 ..

Sensitivity can be set in 4 levels to minimize faulty switching.

- Turn adjuster (2) (see figure 13).

Setting the run-on time, order no. 5379 ..

Set run-on time at the main device.

- Turn adjuster (3) (see figure 14).

Testing the detection field

- Make the test settings. For this, turn adjuster (1) to **Test**, (see figure 13), (see figure 14).

The motion detectors operates independently of the brightness and switches on for approx. 1 second when motion is detected. The sensitivity setting remains intact.

5 Technical data

Ambient temperature	-20 ... +45°C
Storage/transport temperature	-25 ... +70°C
Degree of protection	
System 55, Gira E22, Flächenschalter (F100)	IP20
TX44	IP44
Brightness setting	Approx. 5 ... 1000 lx and day operation
Sensitivity	
Order no. 5373 .., 5375 ..	25, 50, 75, 100%
Run-on time	
Order no. 5373 .., 5375 ..	approx. 2 min
Order no. 5379 ..	approx. 10 s ... 30 min
Installation height	
Order no. 5373 .., 5379 ..	1.10 m

Order no. 5375 ..	1.10 m / 2.20 m
Detection angle	180°

6 Troubleshooting

Motion detector does not switch on

Cause 1: The ambient brightness is greater than the adjusted brightness threshold.
Set brightness value (see Commissioning chapter).

Cause 2: Motion detector does not detect any motions.
Check detection field for any obstacles.

Motion detector switches on without motion

Cause: Motion detector detects motions.
Pay attention to heat sources such as heaters, fans and air-conditioners in the detection field.

Motion detector switches off despite motion

Cause: The ambient light is too bright and the switch-off threshold was exceeded.
Switch on motion detector.

Motion detector does not switch off after the run-on time has elapsed

Cause: Motion detector detects motions constantly.
Pay attention to heat sources such as heaters, fans and air-conditioners in the detection field.

7 Warranty

The warranty is provided in accordance with statutory requirements via the specialist trade. Please submit or send faulty devices postage paid together with a fault description to your responsible salesperson (specialist trade / installation company / electrical specialist trade). They will forward the devices to the Gira Service Center.

Gira
Giersiepen GmbH & Co. KG
Elektro-Installations-
Systeme

Industriegebiet Mermbach
Dahlienstraße
42477 Radevormwald

Postfach 12 20
42461 Radevormwald

Deutschland

Tel +49(0)21 95 - 602-0

Fax +49(0)21 95 - 602-191

www.gira.de

info@gira.de