

Blind control insert without auxiliary input

Order no.: 5415 00

Operating instructions

1 Safety instructions



Electrical devices may only be mounted and connected by electrically skilled persons.

Serious injuries, fire or property damage possible. Please read and follow manual fully.

Danger of electric shock. Always disconnect before carrying out work on the device or load. In so doing, take all the circuit breakers into account, which support dangerous voltages to the device and or load.

Danger of electric shock. Do not mount the device on unearthed, electrically conductive substrates or let it come into contact with them.

Risk of injury. Use the device only for controlling Venetian blind and roller shutter motors or awnings. Do not use it to switch other loads.

For parallel connection of several motors to an output it is essential to observe the corresponding instructions of the manufacturers, and to use a cut-off relay if necessary. The motors may be destroyed.

Use only venetian blind motors with mechanical or electronic limit switches. Check the limit switches for correct adjustment. Observe the specifications of the motor manufacturers. Device can be damaged.

These instructions are an integral part of the product, and must remain with the end customer.

2 Device components

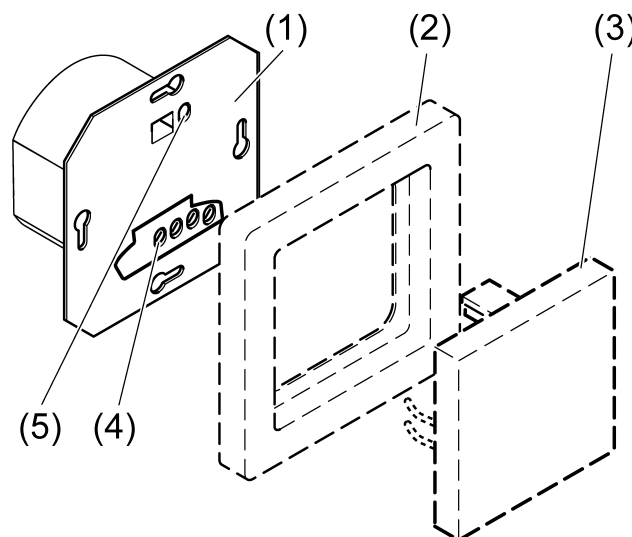


Figure 1: Device components

- (1) Venetian blind insert
- (2) Frame
- (3) Cover
- (4) Terminals
- (5) Button TEST

3 Intended use

- Controlling electrically driven blinds, rolling shutters and awnings
- Automatic time controller using the cover
- Operation only with suitable cover
- Mounting in appliance box according to DIN 49073

Product characteristics

- Saving of a ventilation position
- Test operation for function testing
- Reverse function of outputs for simplified commissioning

4 Operation

Moving the blind/shutter

- Press top or bottom button for longer than one second.
The blind/shutter moves in the desired direction to the end position or stops when the button is pressed again.

i If a ventilation position has been saved, the blind stops in the ventilation position when moving down from the top end position (see Saving the ventilation position).

Adjusting the slats

- Press top or bottom button for less than 1 second.

Saving the ventilation position

To save and execute the ventilation position, the Venetian blind must be moved to the upper end position and switch off automatically there after 2 minutes.

- From the top end position, press the bottom button for longer than second.
The blind/shutter moves in the lower end position direction.
- Press and hold down the top and bottom buttons.
The blind/shutter remains stopped, but continues to move after 4 seconds.
- As soon as the desired ventilation position has been reached, release the buttons and press the top button within the next 4 seconds.
The ventilation position is saved. The blind/shutter moves back to the upper end position.

i If the ventilation position is saved again, the old value is overwritten.

5 Information for electrically skilled persons



DANGER!

Mortal danger of electric shock.

Before carrying out work on the device or load, disengage all the corresponding circuit breakers. Cover up live parts!

Connecting and mounting venetian blind insert

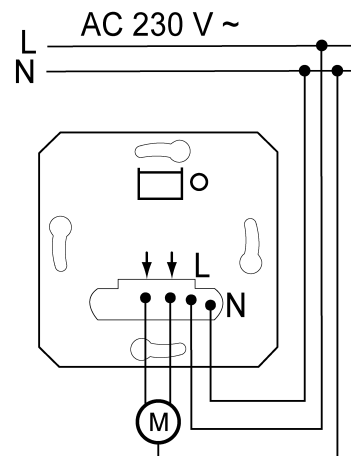


Figure 2: Connection of control

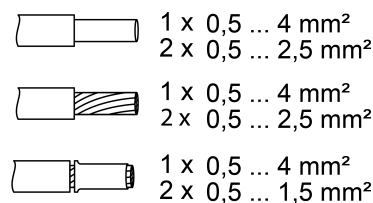


Figure 3: Terminal-specific cable cross-section:

- Connect venetian blind control according to connection diagram (Figure 2). Note clampable cable cross-sections (Figure 3).
- Install Venetian blind control in appliance box, terminals must be at the bottom. Recommendation: Use deep appliance box.
- Switch on mains voltage.

The **TEST** button also allows activation of the connected motor without a cover, e.g. to be able to set the end positions of the motor.

- Press the **TEST** button for less than one second.
Blind/shutter moves in the bottom end position direction.
- Press button **TEST** longer than 1 second.
Blind/shutter moves in the upper end position direction.
- **i** If the blind/shutter moves in the wrong direction, you can use the reverse function of the insert.
- Reverse function: Press the **TEST** button for more than 10 seconds.
The insert signals successful reversing of the outputs through quick activation in the Down direction and then in the Up direction. The new direction of travel is saved to power failure-proof memory.
- Attach the frame and the cover.

6 Technical data

| | |
|---|---------------|
| Rated voltage | AC 230 V~ |
| Mains frequency | 50 / 60 Hz |
| Standby load: 0.1...0.5 W, depending on the cover | |
| Ambient temperature | -5 ... +45 °C |

| | |
|-------------------------------|----------------|
| Storage/transport temperature | -20 ... +70 °C |
| Running time | approx. 120 s |
| Connected load | |
| Motors | 700 W |
| Data according to EN 60730-1 | |
| Action | 1.B |
| Degree of soiling | 2 |
| Measured surge voltage | 4000 V |

7 Warranty

The warranty is provided in accordance with statutory requirements via the specialist trade. Please submit or send faulty devices postage paid together with an error description to your responsible salesperson (specialist trade/installation company/electrical specialist trade). They will forward the devices to the Gira Service Center.

Gira
Giersiepen GmbH & Co. KG
Elektro-Installations-
Systeme

Industriegebiet Mermbach
Dahlienstraße
42477 Radevormwald

Postfach 12 20
42461 Radevormwald

Deutschland

Tel +49(0)21 95 - 602-0
Fax +49(0)21 95 - 602-191

www.gira.de
info@gira.de