

**Wireless top unit, blinds control button, 1-gang**

Order No. : 5491 ..

**Operating instructions****1 Safety instructions**

Electrical devices may only be mounted and connected by electrically skilled persons.

Serious injuries, fire or property damage possible. Please read and follow manual fully.

Danger of electric shock. Always disconnect before carrying out work on the device or load. In so doing, take all the circuit breakers into account, which support dangerous voltages to the device and or load.

These instructions are an integral part of the product, and must remain with the end customer.

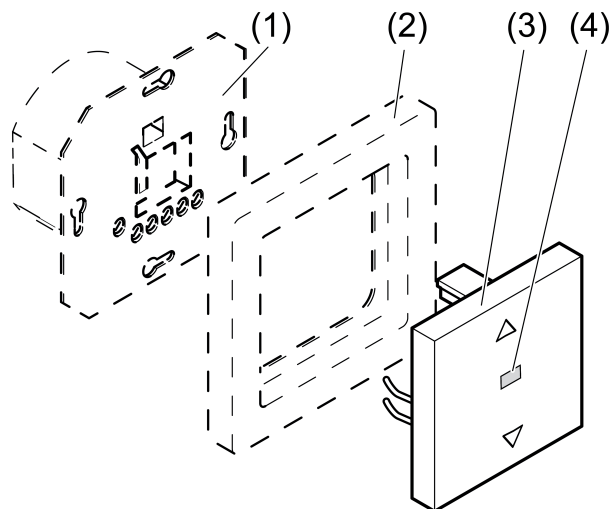
**2 Device components**

Figure 1: Device components

- (1) FM insert
- (2) Frame
- (3) Radio button
- (4) Status LED

**3 Function****Intended use**

- Manual and radio-controlled operation of electrically-driven Venetian blinds, shutters and awnings
- Operation with suitable eNet radio transmitters
- Mounting on venetian blind insert (accessories)

**Product characteristics**

- Positioning of the blind/shutter via scene request
- Position for sun protection and twilight
- Status feedback to radio transmitter
- Blind/shutter running time can be saved
- Status indicator via LED

Can be set with eNet server:

- Slat change-over time/fabric-stretching time
- Change-over-time for direction change
- Running direction invertible
- Operation locks
- Deactivating extension evaluation
- Position for sun protection, twilight, lock-out protection and wind alarm


Supplementary functions with eNet server

- Fully encrypted radio transmission (AES-CCM) from eNet Server software version 2.0
- Update of the device software
- Reading of error memory

#### **Behaviour after mains voltage return**

The response after mains voltage return can be configured with the eNet server. Default setting: no action.

## **4 Operation**

-  When operating with the eNet Server, operation and signalling could vary from what is described here.

#### **Moving the Venetian blind**

- Press top or bottom button for longer than one second.  
The blind/shutter moves in the desired direction to the end position or stops when the button is pressed again.  
The status LED (4) lights up as long as the blind/shutter is activated.

#### **Adjusting the slats**

- Press top or bottom button for less than one second.  
A moving blind/shutter is stopped and a stationary blind/shutter is briefly activated.

## **5 Information for electrically skilled persons**

### **5.1 Fitting and electrical connection**



#### **DANGER!**

**Electrical shock when live parts are touched.**

**Electrical shocks can be fatal.**

**Before carrying out work on the device or load, disengage all the corresponding circuit breakers. Cover up live parts in the working environment.**

---

#### **Connecting and fitting the device**

To ensure good transmission quality, keep a sufficient distance from any possible sources of interference, e.g. metallic surfaces, microwave ovens, hi-fi and TV systems, ballasts or transformers.

The flush-mounted insert is correctly fitted and connected (see instructions for flush-mounted insert).

- Fit radio button (3) and frame (2) on flush-mounted insert (1).
- Switch on mains voltage.
- Perform commissioning.

## 5.2 Commissioning



### **DANGER!**

**Electrical shock when live parts are touched.**

**Electrical shocks can be fatal.**

**During commissioning, cover the parts carrying voltage on radio transmitters and actuators and in their surrounding area.**

- i** The button can also be commissioned with eNet server as an alternative to the commissioning described here.
- i** Prerequisite for scenes and positioning movements is that the moving times of the connected blind/shutter in the actuator are saved.

### **Saving blind/shutter running time**

- i** Optionally, the blind/shutter running time can be saved directly on the radio button or with a connected transmitter.
  - Press top ▲ button for longer than one second and wait until the blind/shutter is in the upper end position and the status LED (4) switches off.
  - Press bottom ▼ button for longer than one second.  
The blind/shutter moves in the lower end position direction.
  - Before the blind/shutter reaches the lower end position, press the button over entire surface and keep it pressed.  
The blind/shutter remains stopped while the button is pressed, but continues to move after 4 seconds.
  - As soon as the blind/shutter has reached the lower end position, release the button and within the next 4 seconds press it again over the entire surface for at least one second.  
The running time is saved. The blind/shutter moves back to the upper end position.
- i** The change-over-time of the slats for the venetian blind and time/fabric-stretching time for awnings can only be saved using the eNet server.

### **Connecting with radio transmitter**

Load is switched off.

- Press button over entire surface for longer than 4 seconds.  
The status LED flashes after 4 seconds. The button is in programming mode for approx. 1 minute.
- Switch radio transmitter to programming mode (see radio transmitter instructions).
- Trigger telegram on the radio transmitter.  
The status LED lights up for 5 seconds.  
The button is connected to the radio transmitter. The button and radio transmitter exit the programming mode automatically.
- i** If the status LED of the button flashes 3 times at 1-second intervals for approx. 5 seconds, then the programming operation was not successful. All the memory locations in the actuator or radio transmitter are occupied.
- i** Scene buttons must be connected separately.

### **Disconnecting connection to a radio transmitter**

- Carry out the same steps as when connecting (see Connecting to radio transmitter).  
The status LED flashes quickly for 5 seconds. The button is disconnected from the radio transmitter. The button and radio transmitter exit the programming mode automatically.
- i** If there several connections or scene buttons for a radio transmitter, all connections must be disconnected individually.

### **Resetting button to the default setting**

All connections to radio transmitters are disconnected and parameters are reset to default setting.

**i** The connections in the radio transmitters are preserved and must be deleted separately. Load is switched off.

- Press button over the entire surface for at least 20 seconds.  
The status LED flashes after 4 seconds. After 20 seconds the status LED flashes faster.
- Release button and press briefly once again within 10 seconds.  
The status LED flashes more slowly for approx. 5 seconds.  
The button is reset to default setting.

## 6 Appendix

### 6.1 Technical data

Ambient temperature	-5 ... +45 °C
Minimum actuation time in operating mode	
Venetian blind	0.1 s
Roller shutter	0.3 s
Running time	1 ... 600 s
Running time default setting	120 sec
Radio frequency	868.0 ... 868.6 MHz
Transmitting range in free field	typ. 100 m
Transmission capacity	max. 20 mW
Receiver category	2

### 6.2 Parameter list

The device parameters can be changed with the eNet server:

#### Device and channels

Parameters	Setting options, Basic setting	Explanations
Function	Venetian blind, unused, basic position: Venetian blind	Venetian blind The channel is integrated for the "Venetian blind" central function in the <b>eNet SMART HOME app</b> .  Unused The channel is not displayed in the <b>eNet SMART HOME app</b> and is disabled for use in the commissioning interface.
Operating mode	Roller shutter Venetian blind Awning Basic setting: Roller shutter	Roller shutter A rolling shutter or an awning is controlled for which the Fabric stretching function is required.  Venetian blind A Venetian blind is controlled.  Awning An awning is controlled for which the Fabric stretching function is required.

#### Advanced device settings

Parameters	Setting options, Basic setting	Explanations
------------	--------------------------------	--------------

Manual commissioning	On, Off Basic setting: On	Disables manual commissioning for all device channels. In the "Off" setting, the device cannot be reset to the factory setting.
Allow extension unit operation	On, Off Basic setting: On	Prevents operation via wired extensions.

### Channel settings

Parameters	Setting options, Basic setting	Explanations
Operating hours up	0...65535 Basic setting: Current value	The time is counted during which the load is physically switched on (relay contact closed). This parameter can be reset to "0", for example after exchanging the load. The Reset button is used to reset the meter to "0". The device must be programmed to apply the change.
Operating hours down	0...65535 Basic setting: Current value	The time is counted during which the load is physically switched on (relay contact closed). This parameter can be reset to "0", for example after exchanging the load. The Reset button is used to reset the meter to "0". The device must be programmed to apply the change.

### Extended channel settings

Parameters	Setting options, Basic setting	Explanations
Operating mode	Roller shutter Venetian blind Awning Basic setting: Roller shutter	See Device and channels.
Manual commissioning	On, Off Basic setting: On	Blocks manual commissioning for the device channel. In the "Off" setting, the device cannot be reset to the factory setting.
Local Operation	On, Off Basic setting: On	Blocks the output for operation using the button.
Running time	1 ... 600 sec Basic setting: 120 s	Absolute time which the blind/shutter requires from the top to the bottom end position. The entry is essential if scene or position movements are to occur.

Slat change-over time Fabric-stretching time	0 ms ... 10 sec 300 ms ... 10 s Basic setting: 0 ms / 300 ms	Absolute time for changing-over Venetian blind slats. The fabric stretching time can also be set here for the Awning operating mode.
Minimum change-over-time	300 ms ... 10 sec Basic setting: 1 s	Minimum interruption time when changing directions. Increasing the minimum change-over time will cause less wear on the motors.
Invert movement direction	On, Off Basic setting: Off	Inverts the activation of the relay outputs. During inverted operation, the relay outputs "Up" and "Down" should be activated in reverse. This is required, for example, for controlling skylights.
Behaviour on voltage return	No change Configured value Basic setting: No change	Defines the behaviour of the output after voltage return. RMD design: Bus voltage return
Configured venetian blind position	0 ... 100 % Basic setting: 0 %	If the value "Configured position" is entered for the parameter "Behaviour after voltage return", then the blind/shutter position set here is approached.
Configured slat position	0 ... 100 % Basic setting: 0 %	If the value "Configured position" is entered for the parameter "Behaviour after voltage return", then the slat position set here is approached.
Behaviour after the end of the disabling function	no change Last value Down up Basic setting: No change	Behaviour of the output when a block is removed.
Manual saving of the scene values	On, Off Basic setting: On	Disables the saving of the current Venetian blind position as scene value in an actuator for a command via a transmitter.
Priority, lock-out protection	0...4 Basic setting: 1	Specifies the priority for recalling and removing a scene of type Lock-out protection for the channel.
Activate lock-out protection blind position	0 ... 100 % Basic setting: 0 %	Defines the behaviour of the output on activating the lock-out protection.
Activate lock-out protection slat position	0 ... 100 % Basic setting: 0 %	Defines the slat position of the output on activating the lock-out protection. Only visible when the Venetian blind operating mode is set.

Deactivate lock-out protection blind position	0 ... 100 % Basic setting: 0 %	Defines the behaviour of the output on deactivating the lock-out protection. Only visible when the priority for the lock-out protection is 0.
Deactivate lock-out protection slat position	0 ... 100 % Basic setting: 0 %	Defines the behaviour of the output on deactivating the lock-out protection. Only visible when the priority for lock-out protection is 0 and the Venetian blind operating mode is set.
Priority, restraint	0...4 Basic setting: 2	Specifies the priority for recalling and removing a scene of type Restraint for the channel.
Activate force operation blind position	0 ... 100 % Basic setting: 0 %	Defines the behaviour of the output on activating the forced operation.
Recall forced operation slat position	0 ... 100 % Basic setting: 0 %	Defines the slat position of the output on activating forced operation. Only visible when the Venetian blind operating mode is set.
Deactivate force operation blind position	0 ... 100 % Basic setting: 0 %	Defines the behaviour of the output on deactivating the forced operation. Only visible when the priority for the forced operation is 0.
Deactivate forced operation slat position	0 ... 100 % Basic setting: 0 %	Defines the slat position of the output on deactivating forced operation. Only visible when the priority for the forced operation is 0 and the Venetian blind operating mode is set.
Priority, wind alarm	0...4 Basic setting: 3	Specifies the priority for recalling and removing a scene of type Wind alarm for the channel.
Activate wind alarm blind position	0 ... 100 % Basic setting: 0 %	Defines the behaviour of the output on activating the wind alarm.
Recall wind alarm slat position	0 ... 100 % Basic setting: 0 %	Defines the slat position of the output on activating the wind alarm. Only visible when the Venetian blind operating mode is set.
Deactivate wind alarm blind position	0 ... 100 % Basic setting: 0 %	Defines the behaviour of the output on deactivating the wind alarm. Only visible when the priority for the wind alarm is 0.

Deactivate wind alarm slat position	0 ... 100 % Basic setting: 0 %	Defines the slat position of the output on deactivating the wind alarm. Only visible when the priority for the wind alarm is 0 and the Venetian blind operating mode is set.
Priority, sun protection	0...4 Basic setting: 0	Specifies the priority for recalling and removing a scene of type Sun protection for the channel.
Activate sun protection blind position	0 ... 100 % Basic setting: 100 %	Defines the behaviour of the output on activating the sun protection.
Recall sun protection slat position	0 ... 100 % Basic setting: 100 %	Defines the slat position of the output on activating the sun protection. Only visible when the Venetian blind operating mode is set.
Deactivate sun protection blind position	0 ... 100 % Basic setting: 0 %	Defines the behaviour of the output on deactivating the sun protection. Only visible when the priority for the sun protection is 0.
Deactivate sun protection slat position	0 ... 100 % Basic setting: 0 %	Defines the slat position of the output on deactivating the sun protection. Only visible when the priority for the sun protection is 0 and the Venetian blind operating mode is set.
Priority, twilight	0...4 Basic setting: 0	Specifies the priority for recalling and removing a scene of type Twilight for the channel.
Activate twilight blind position	0 ... 100 % Basic setting: 100 %	Defines the behaviour of the output on activating the twilight function.
Activate twilight slat position	0 ... 100 % Basic setting: 100 %	Defines the slat position of the output on activating the twilight function. Only visible when the Venetian blind operating mode is set.
Deactivate twilight blind position	0 ... 100 % Basic setting: 0 %	Defines the behaviour of the output on deactivating the twilight function. Only visible when the priority for the twilight function is 0.
Deactivate twilight slat position	0 ... 100 % Basic setting: 0 %	Defines the slat position of the output on deactivating the twilight function. Only visible when the priority for the twilight function is 0 and the Venetian blind operating mode is set.



**Information window**

During channel selection in the Information window, the following settings can be made or values displayed.

Display value	Explanations
Position value, venetian blind	The position value of the Venetian blind can be changed.
Position value, slat	The position value of the slat can be changed.
Restraint	Display of forced position status.
Lock-out protection	Display of the lock-out protection status
Operating hours UP	Display of the operating hours in the UP direction since the last restart in the Settings window.
Operating hours DOWN	Display of the operating hours in the DOWN direction since the last restart in the Settings window.

**6.3 Accessories**

Combinable with all inserts from the Venetian blind control system.

**6.4 Conformity**

Gira Giersiepen GmbH & Co. KG hereby declares that the radio system type Order No. 5491 ..

corresponds to the directive 2014/53/EU. You can find the full article number on the device. The complete text of the EU Declaration of Conformity is available under the Internet address: [www.gira.de/konformitaet](http://www.gira.de/konformitaet)

**6.5 Warranty**

The warranty follows about the specialty store in between the legal framework as provided for by law.

**Gira**  
**Giersiepen GmbH & Co. KG**  
 Elektro-Installations-  
 Systeme

Industriegebiet Mermbach  
 Dahlienstraße  
 42477 Radevormwald

Postfach 12 20  
 42461 Radevormwald

Deutschland

Tel +49(0)21 95 - 602-0  
 Fax +49(0)21 95 - 602-191

[www.gira.de](http://www.gira.de)  
[info@gira.de](mailto:info@gira.de)