

GIRA

Gira
Giersiepen GmbH & Co. KG
Electrical installation
systems
P.O. Box 1220
42461 Radevormwald
Phone +49 (0) 2195 / 602 - 0
Fax +49 (0) 2195 / 602 - 191
www.gira.com
info@gira.com

499268 34/1 1

Safety instructions

Installation and mounting of electrical devices may only be carried out by qualified electricians.

Failure to observe the instructions can result in damage to the device, fire or other dangers.

Isolate before working on the device or load. Take account of all circuit breakers supplying dangerous voltage to the device or load.

i Provide circuit breaker!

Connect a circuit breaker type D, max. 16 A upstream from the power supply unit.

Function

Power supply unit with input voltage of 115 V -15 % to 230 V +15 % AC. Output voltage 24 V DC with uninterruptible power supply (UPS). If the mains input voltage drops, connected load is supplied interruption-free via the integrated batteries. When the mains input voltage recovers the batteries are separated from the load and recharged via the internal charging unit.

The device is designed for 24-hour operation at rated output.

Self-diagnosis for monitoring of the batteries e. g. for protection of complete draining etc.

Operating states (mains failure, battery warning and charging device) of the power rectifier can be signalled via the zero-voltage relay contacts (see figure 2).

i Note: read the system operating instructions.

Become familiar with all the possibilities of the device and the complete call system. Please read the system operating instructions available in various languages on the CD-ROM enclosed with the ward control centre.

Scope of delivery

- Power rectifier UPS Plus, Order No.: 5999 00, cable set with connection plug and velcro straps for fixing the batteries.

Both 12 V, 12 Ah batteries not included in scope of supply. Please order these separately, Order No.: 5991 00.

Installation

The Power rectifier Plus with UPS must be installed in a dry, dust-free and well ventilated location.

Secure positioning or wall installation must be ensured due to weight of approx. 10kg (incl. batteries).

! Important! Danger of overheating!

With an unfavourable installation location, heat accumulation may cause device overheating. This may cause damage. Ensure sufficient air circulation to prevent heat accumulation.

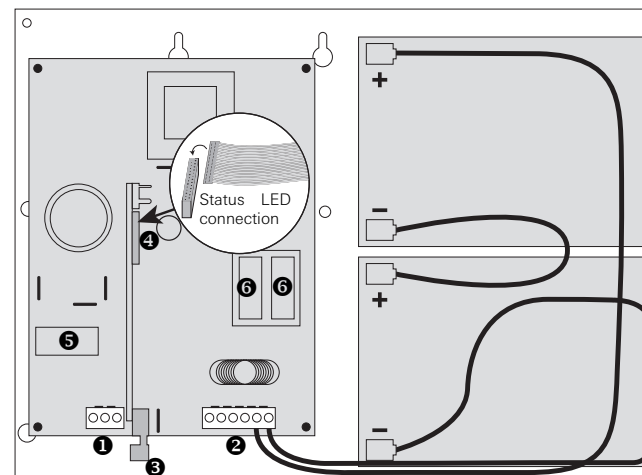
! Important! Do not install in patient's rooms!

The device must be securely installed. Access to the device for skilled electrical personnel must be possible at all times.

Device overview

The device features the following LED status displays:

Mains	LED green when primary voltage is applied.
Charging device / charger	LED green with trouble-free charging.
Output	LED green, when voltage is applied to the consumer output.
Battery	LED green with trouble-free battery operation.
	LED red with complete drainage.



Legend:

- | | |
|---|---|
| 1 Terminals for input voltage 230 V AC, see fig. 2 | 4 Flat ribbon cable connection for status LED in housing cover |
| 2 Terminals for output voltage 24 V DC, see fig. 2 | 5 Fuse (input 230 V), T 2 A |
| 3 Signal contacts, see fig. 2 | 6 Fuse (output), T 6.3 A |

Fig. 1: Power rectifier with UPS device overview

GIRA

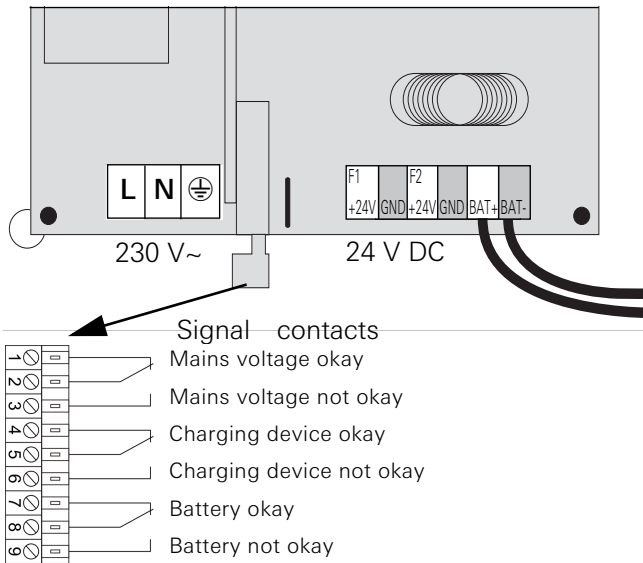


Fig. 2: PCB connections

Start-up

Carry out the following steps:



Important! Danger!

Electric shock if live parts are touched.

Electric shock may lead to death.

Isolate all appropriate circuit breakers and fuses before working on the device or load. Cover up live parts in the vicinity!

1. Connect 230 V AC input voltage (see fig. 2).
2. Connect system devices to the 24 V connection terminal (see fig. 2). Note the energy points section of the system operating instructions.
3. If required, wire the signal contacts (see fig. 2).

Batteries



Important!
Avoid damage to batteries
from complete drainage.

Complete drainage causes permanent impact on performance.
Shutdown threshold 21.4 V.

Secure batteries after inserting into housing with the supplied velcro strap.

Warranty

The warranty is provided in accordance with statutory requirements via the specialist trade.

Please submit or send faulty devices postage paid together with an error description to your responsible salesperson (specialist trade/installation company/electrical specialist trade).

They will forward the devices to the Gira Service Center.

Technical data

Input (primary voltage)

Rated voltage:	115 V (-15 %) to 230 V (+15 %)
Mains frequency:	45 to 65 Hz

Output (secondary voltage)

Output voltage in mains operation:	27.2 V (+/- 0.5 %)
Output voltage in battery operation:	24 V (+/- 0.5 %)
Rated output current:	6 A
Charging current limitation:	yes
Output power:	150 W
Battery capacity:	2 x 12 Ah

Battery voltage thresholds

Switching threshold for advance warning prior to battery shut-down:	1.85 V / cell
Switching threshold for complete drainage protection:	1.8 V / cell

Protection class:	I
Protection level:	IP 30
Fuse on the primary side:	T 2.0 A
Fuse on the secondary side:	T 6.3 A
Ambient temperature at 100% load:	-5 °C to +40 °C
Dimensions (L x W x D):	approx. 320 x 240 x 120 mm
Weight:	approx. 10 kg, incl. batteries